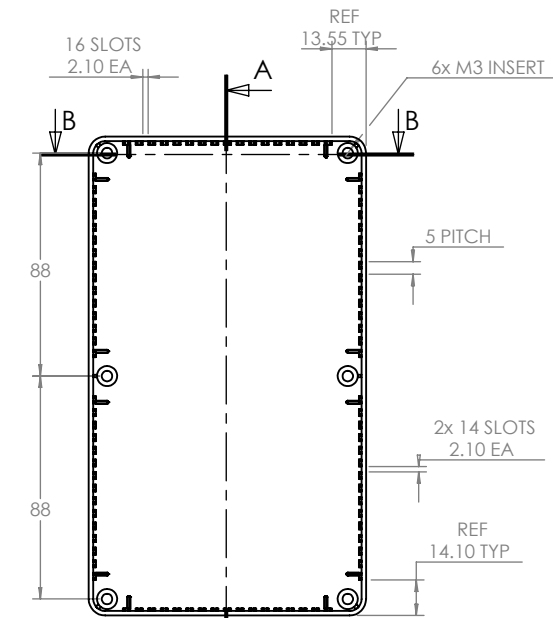
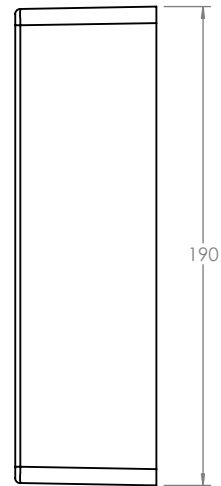
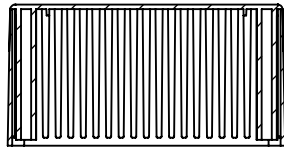


OVERALL ASSEMBLY DIMENSIONS:

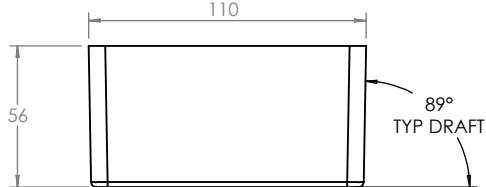
EXTERNAL - 190 x 110 x 60

INTERNAL - 186.4 x 106.4 x 56.4

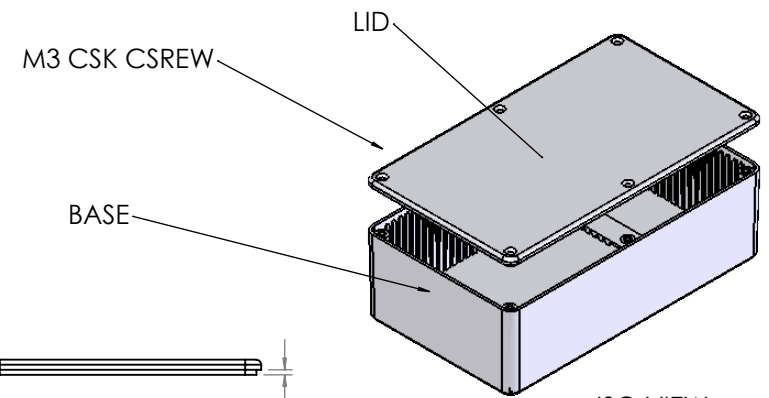
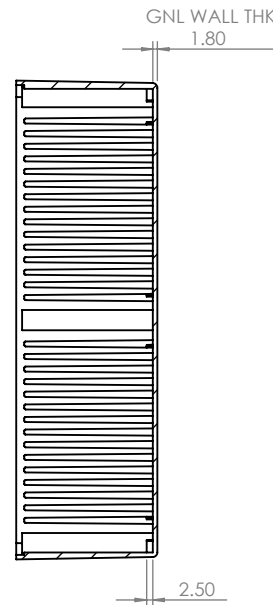
SECTION B-B



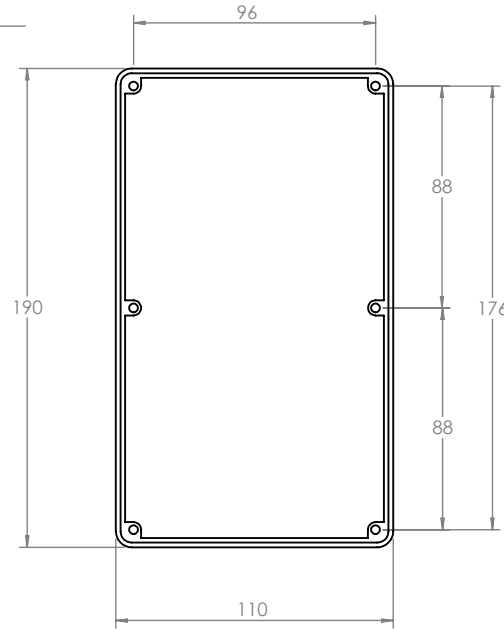
BASE





SECTION A-A



ISO VIEW
1:4



LID

 CAMDENBOSS JAMES CARTER RD, MILDENHALL, SUFFOLK. IP28 7DE TEL: 01638 716101 FAX: 01638 716554 EMAIL: Sales@CamdenBoss.com WEB: www.CamdenBoss.com				UNLESS OTHERWISE SPECIFIED: DIMENSIONS ARE IN MILLIMETERS		DO NOT SCALE DRAWING		REVISION. 0		
				FINISH. SMOOTH		TITLE: GENERAL DIMENSION DRAWING FOR BIM 2006				
DRAWN IAN PAGANO		SIGNED I.P.		DATE 06/03/14		MATERIAL. ABS		DWG NO. 2006,16		A4
CHKD -		-		-		PROJECTION. 		SCALE: 1:2		SHEET 1 OF 1