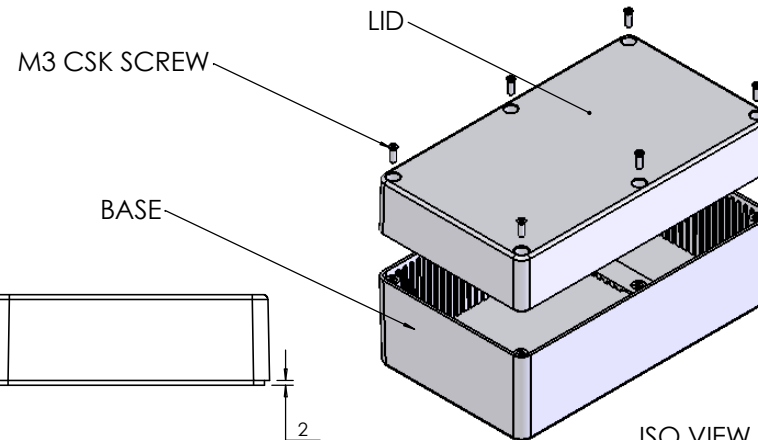
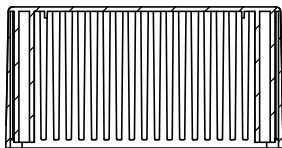


OVERALL ASSEMBLY DIMENSIONS:

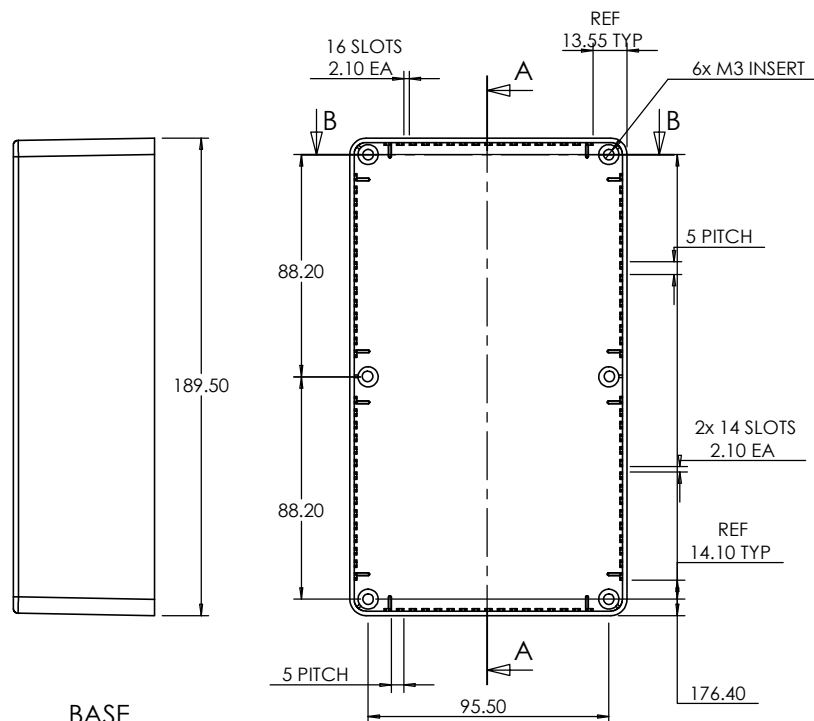
EXTERNAL - 190 x 110 x 90

INTERNAL - 186.4 x 106.4 x 86.4

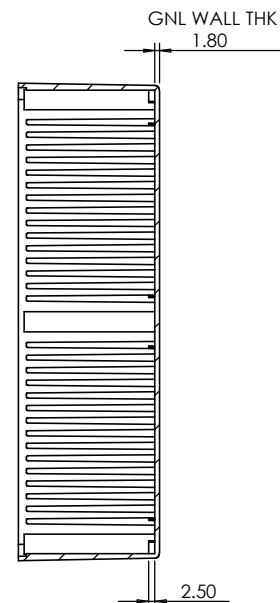
SECTION B-B



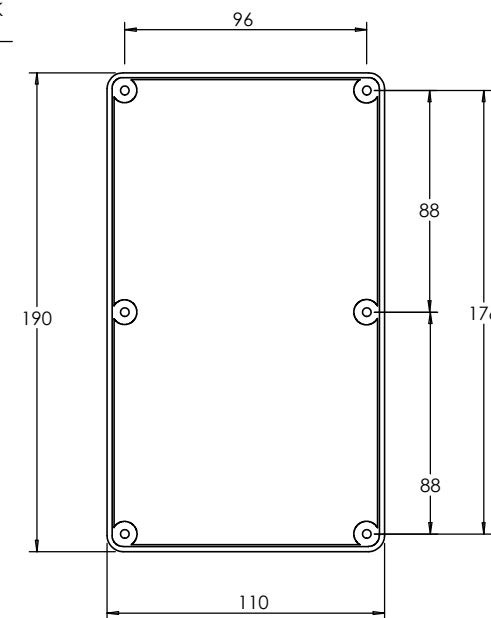
ISO VIEW
1:4



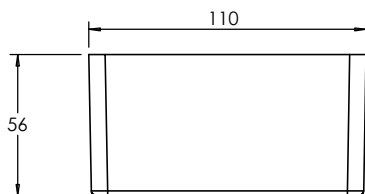
BASE


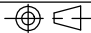


SECTION A-A



LID



 CAMDENBOSS JAMES CARTER RD, MILDENHALL, SUFFOLK. IP28 7DE TEL: 01638 716101 FAX: 01638 716554 EMAIL: Sales@CamdenBoss.com WEB: www.CamdenBoss.com				UNLESS OTHERWISE SPECIFIED: DIMENSIONS ARE IN MILLIMETERS		DO NOT SCALE DRAWING		REVISION. 0		
				FINISH. SMOOTH		TITLE: ASSEMBLY DRG FOR 2006/26				
DRAWN S.HARDINGE		SIGNED SJH		DATE 06/10/05		MATERIAL. ABS		DWG NO. 2006,26		A4
CHKD -		-		-		PROJECTION. 		SCALE: 1:3		SHEET 1 OF 1