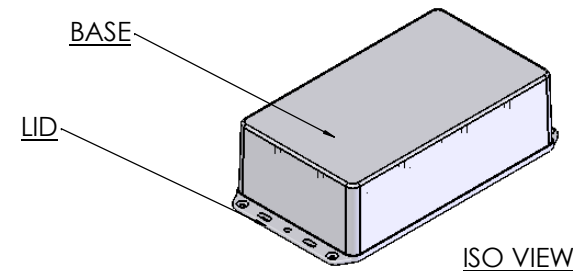


OVERALL ASSEMBLY DIMENSIONS:

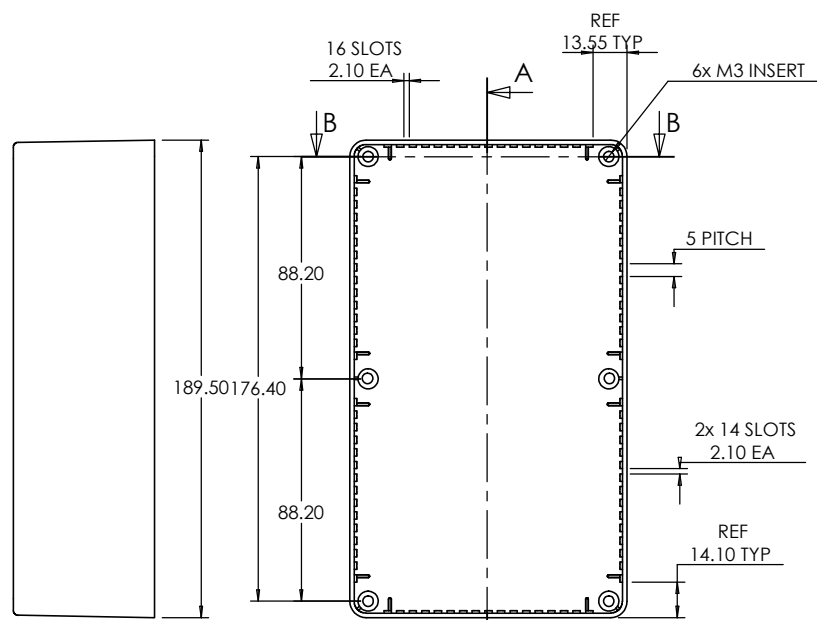
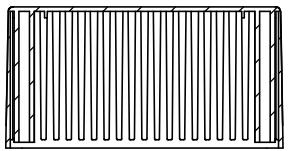
EXTERNAL - 213 x 112.3 x 60.7

INTERNAL - 186.4 x 106.4 x 56.4

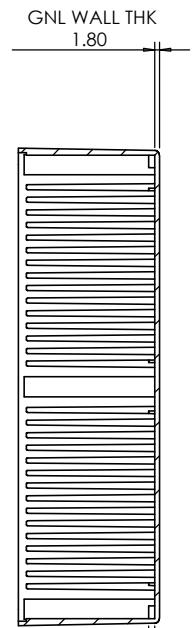


ISO VIEW  
1:5

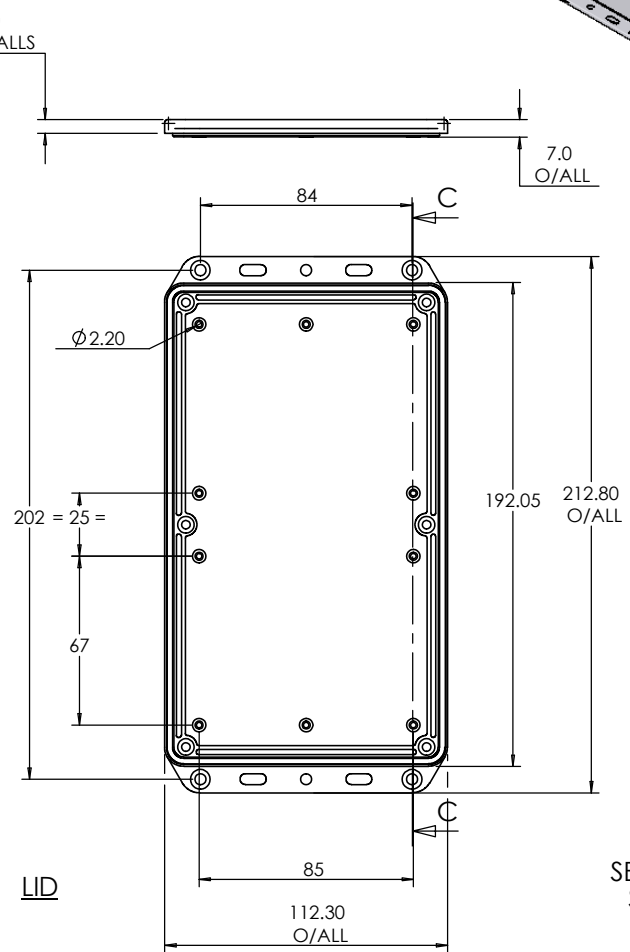
SECTION B-B



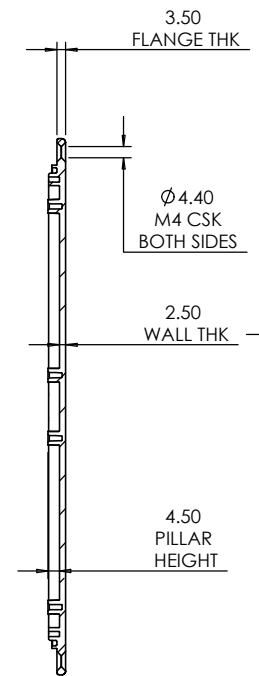
BASE



SECTION A-A  
SCALE 1:3



LID



SECTION C-C  
SCALE 1:3

<p><b>CAMDENBOSS</b> JAMES CARTER RD, MILDENHALL, SUFFOLK. IP28 7DE TEL: 01638 716101 FAX: 01638 716554 EMAIL: Sales@CamdenBoss.com WEB: www.CamdenBoss.com</p>		UNLESS OTHERWISE SPECIFIED: DIMENSIONS ARE IN MILLIMETERS		DO NOT SCALE DRAWING		REVISION. 0					
		FINISH. <b>SMOOTH</b>		TITLE: <b>GNL ASSEMBLY DRG FOR IP 2000-SERIES ENCLOSURE</b>							
DRAWN SUBKHANKULOVA		SIGNED LS		DATE 27/02/09		MATERIAL. <b>ABS</b>		DWG NO. <b>2006-IP</b>		A4	
CHK'D -		-		-		PROJECTION. 		SCALE: 1:2		SHEET 1 OF 1	