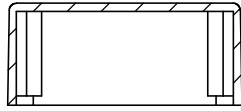


OVERALL ASSEMBLY DIMENSIONS:

EXTERNAL - 112 x 62 x 31

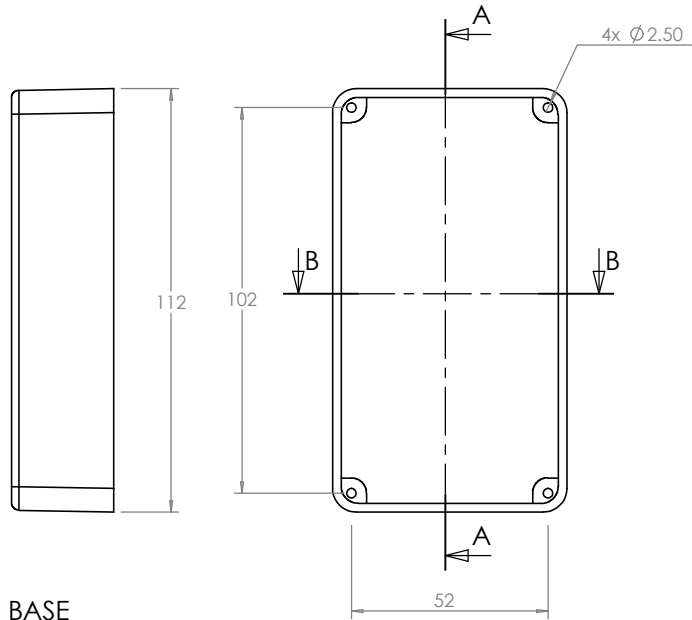
INTERNAL - 107.4 x 57.4 x 27



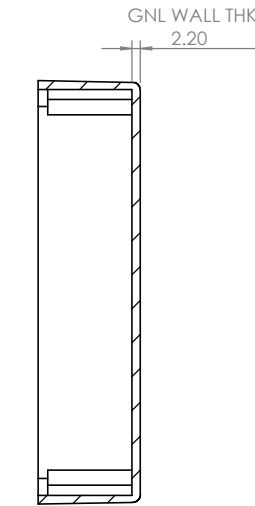
SECTION B-B



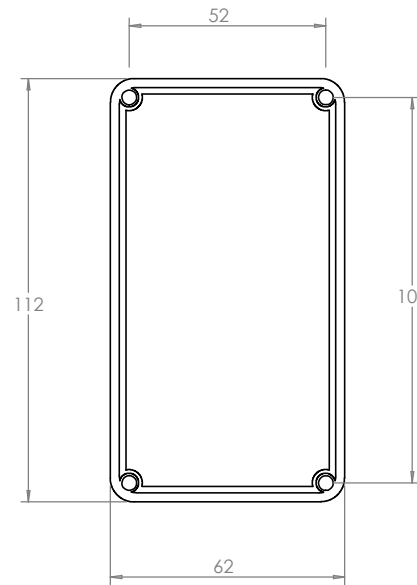
ISO VIEW
1:3



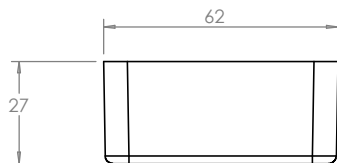
BASE





SECTION A-A



LID



 CAMDENBOSS JAMES CARTER RD, MILDENHALL, SUFFOLK. IP28 7DE TEL: 01638 716101 FAX: 01638 716554 EMAIL: Sales@CamdenBoss.com WEB: www.CamdenBoss.com				UNLESS OTHERWISE SPECIFIED: DIMENSIONS ARE IN MILLIMETERS		DO NOT SCALE DRAWING		REVISION. O	
				FINISH. MATT		TITLE: ASSEMBLY DRG FOR 2007/17			
DRAWN S.HARDINGE		SIGNED SJH	DATE 06/10/05	MATERIAL. ABS		DWG NO. 2007,17		A4	
CHK'D -		-	-	PROJECTION. 		SCALE: 1 : 2		SHEET 1 OF 1	