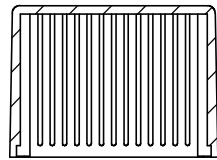


OVERALL ASSEMBLY DIMENSIONS:

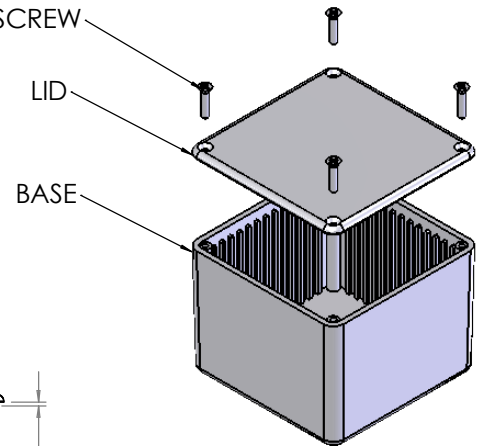
EXTERNAL - 55 x 55 x 42

INTERNAL - 51 x 51 x 37

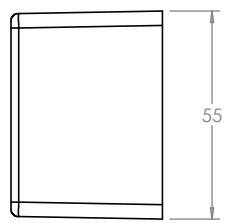


SECTION B-B

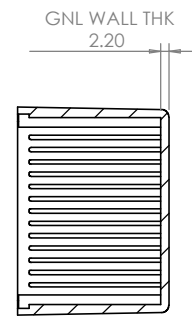
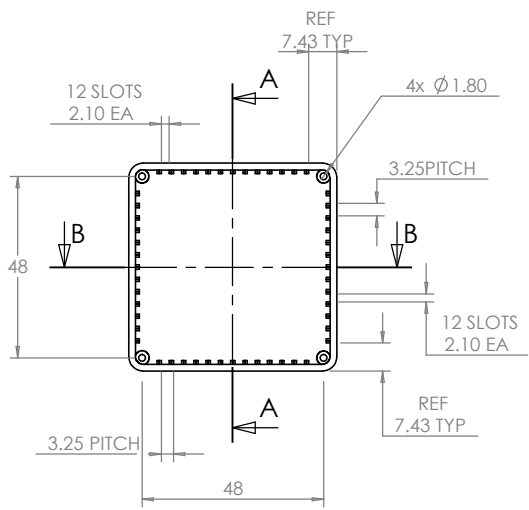
CSK SELF TAPPING SCREW



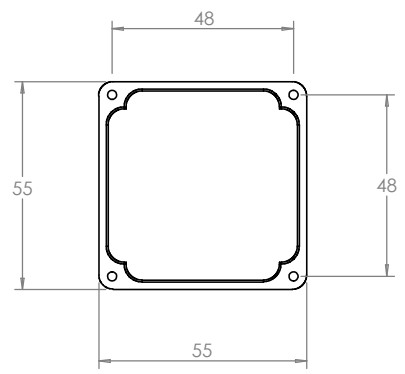
ISO VIEW





BASE



SECTION A-A



LID

 <b>CAMDENBOSS</b> JAMES CARTER RD, MILDENHALL, SUFFOLK. IP28 7DE TEL: 01638 716101 FAX: 01638 716554 EMAIL: Sales@CamdenBoss.com WEB: www.CamdenBoss.com				UNLESS OTHERWISE SPECIFIED: DIMENSIONS ARE IN MILLIMETERS		DO NOT SCALE DRAWING		REVISION. O	
				FINISH. <b>SMOOTH</b>		TITLE: <b>ASSEMBLY DRG FOR 2008,18</b>			
DRAWN S.HARDINGE		SIGNED SJH	DATE 07/10/05	MATERIAL. <b>ABS</b>		DWG NO. <b>2008,18</b>		A4	
CHK'D -		-	-	PROJECTION. 		SCALE: 1 : 2		SHEET 1 OF 1	