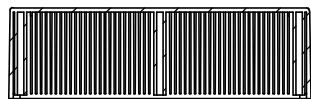


OVERALL ASSEMBLY DIMENSIONS:

EXTERNAL - 250 x 200 x 65

INTERNAL - 244 x 194 x 60.2

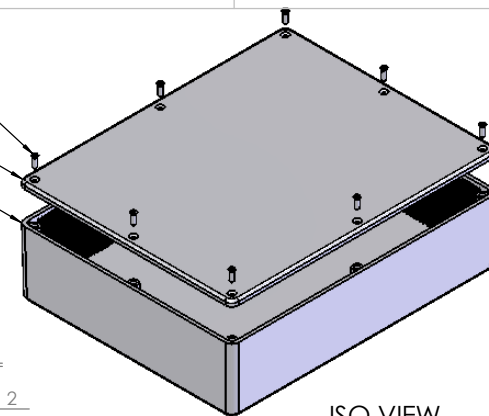


SECTION B-B

M3 CSK SCREW

LID

BASE



ISO VIEW



A

A

B

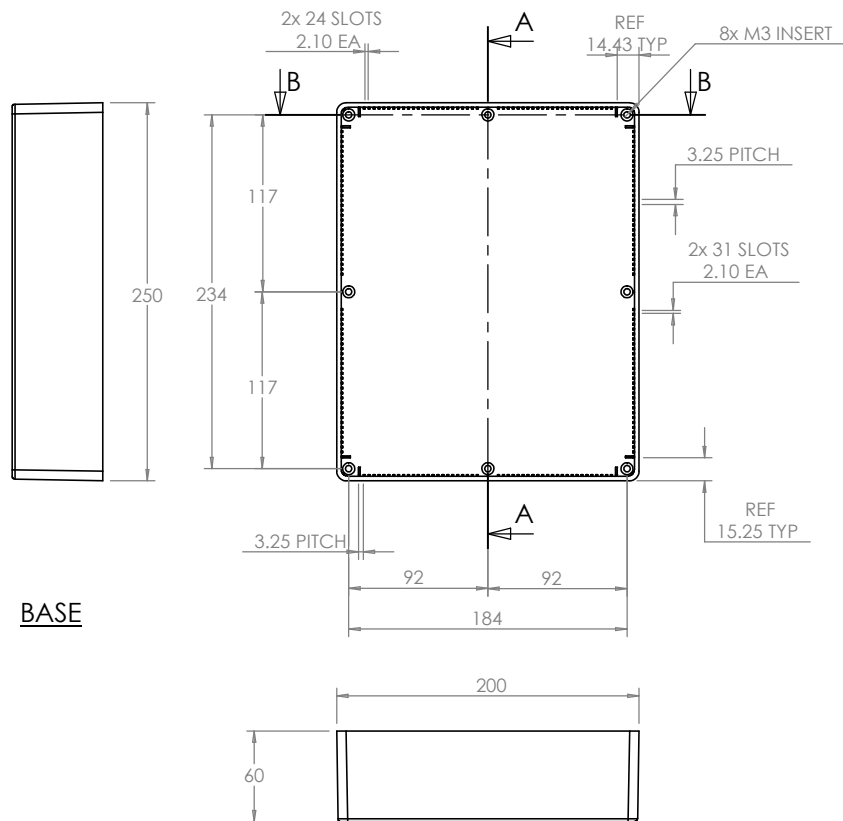
B

C

C

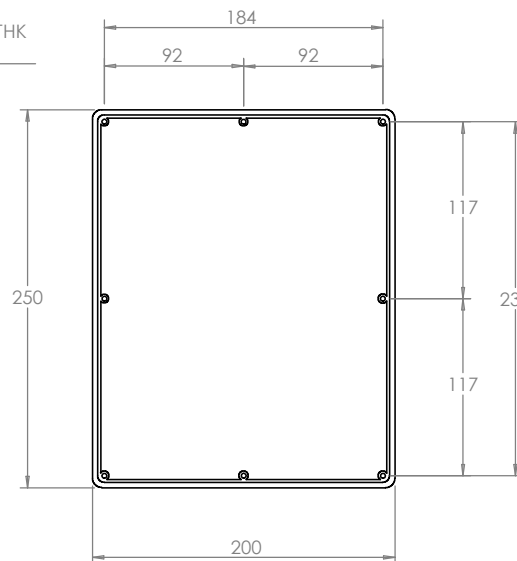
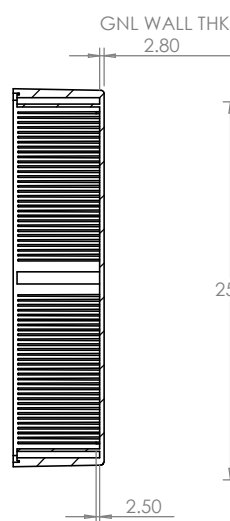
D

D





BASE

SECTION A-A



LID

 CAMDENBOSS JAMES CARTER RD, MILDENHALL, SUFFOLK. IP28 7DE TEL: 01638 716101 FAX: 01638 716554 EMAIL: Sales@CamdenBoss.com WEB: www.CamdenBoss.com				UNLESS OTHERWISE SPECIFIED: DIMENSIONS ARE IN MILLIMETERS		DO NOT SCALE DRAWING		REVISION. O		
				FINISH. SMOOTH		TITLE: ASSEMBLY DRG FOR 2009/19				
DRAWN S.HARDINGE		SIGNED SJH		DATE 10/10/05		MATERIAL. ABS		DWG NO. 2009,19		A4
CHK'D -		-		-		PROJECTION. 		SCALE: 1 : 5		SHEET 1 OF 1