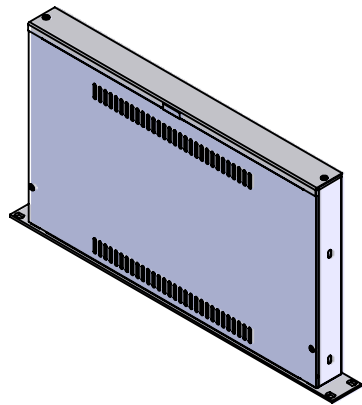




ISO VIEW
SCALE 1:8



SECTION B-B

SECTION A-A

 CAMDENBOSS JAMES CARTER RD, MILDENHALL, SUFFOLK, IP28 7DE TEL: 01638 716101 FAX: 01638 716554 EMAIL: Sales@CamdenBoss.com WEB: www.CamdenBoss.com				UNLESS OTHERWISE SPECIFIED: DIMENSIONS ARE IN MILLIMETERS		DO NOT SCALE DRAWING		REVISION. 0	
				FINISH. VAR		TITLE: GNL ASSEMBLY DRG FOR 180 SERIES - 1U 263 DEEP			
DRAWN IAN PAGANO		SIGNED I.P.	DATE 12/08/13	MATERIAL. VAR		DWG NO. C19G1263S		A4	
CHK'D				PROJECTION. 		SCALE. 1 : 6		SHEET 1 OF 1	