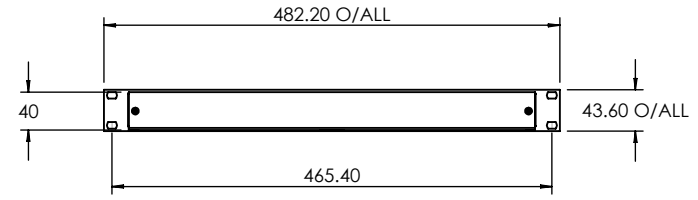


1 2 3 4 5 6

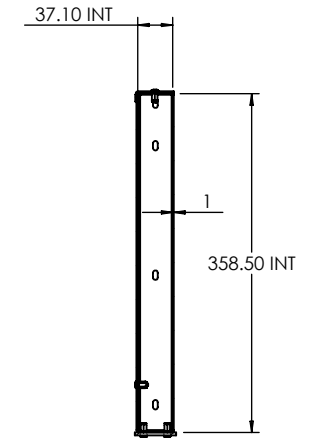
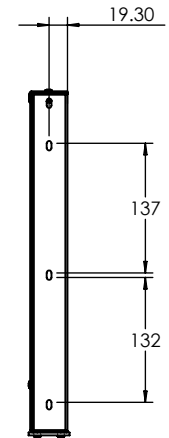
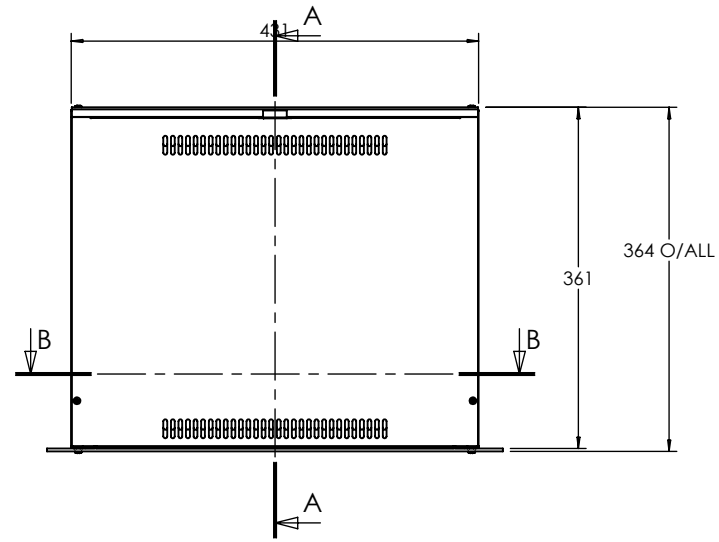
A

A



B

B

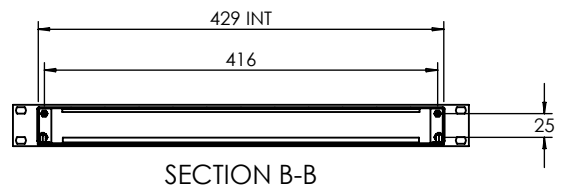
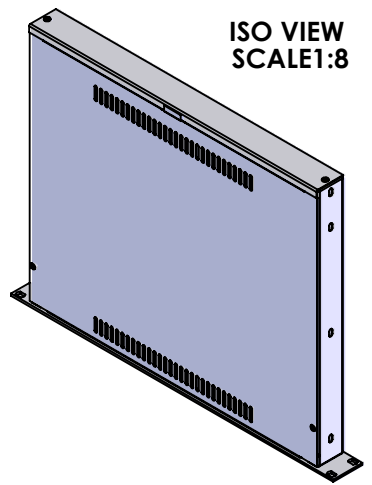


SECTION A-A
SCALE 1 : 8

C

C



ISO VIEW
SCALE 1:8



SECTION B-B

D

D

 CAMDENBOSS JAMES CARTER RD, MILDENHALL, SUFFOLK, IP28 7DE TEL: 01638 716101 FAX: 01638 716554 EMAIL: Sales@CamdenBoss.com WEB: www.CamdenBoss.com				UNLESS OTHERWISE SPECIFIED: DIMENSIONS ARE IN MILLIMETERS		DO NOT SCALE DRAWING		REVISION. O	
				FINISH. VAR		TITLE: GNL ASSEMBLY DRG FOR 180 SERIES - 1U 363 DEEP			
DRAWN IAN PAGANO		SIGNED I.P.	DATE 12/08/13	MATERIAL. VAR		DWG NO. C19G1363B		A4	
CHK'D -		-	-	PROJECTION. 		SCALE: 1 : 8		SHEET 1 OF 1	

1 2 3