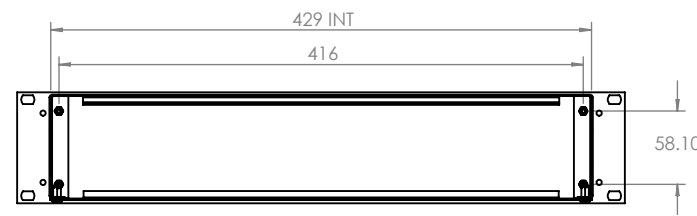
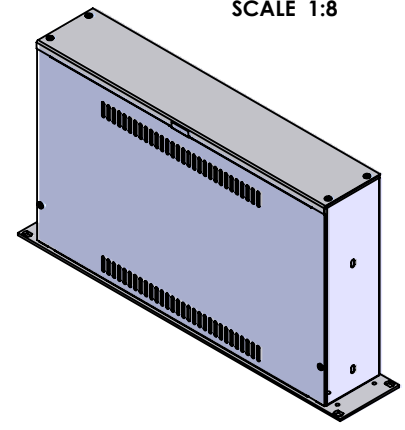




SECTION A-A



SECTION B-B

ISO VIEW
SCALE 1:8



 CAMDENBOSS JAMES CARTER RD, MILDENHALL, SUFFOLK. IP28 7DE TEL: 01638 716101 FAX: 01638 716554 EMAIL: Sales@CamdenBoss.com WEB: www.CamdenBoss.com				UNLESS OTHERWISE SPECIFIED: DIMENSIONS ARE IN MILLIMETERS		DO NOT SCALE DRAWING		REVISION. O	
				FINISH. VAR		TITLE: GNL ASSEMBLY DRG FOR 180 SERIES - 2U 263 DEEP			
DRAWN IAN PAGANO		SIGNED I.P.		DATE 12/08/13		MATERIAL. VAR		DWG NO. C19G2263S	
CHK'D						PROJECTION. 		SCALE: 1 : 6	
								SHEET 1 OF 1	

A4