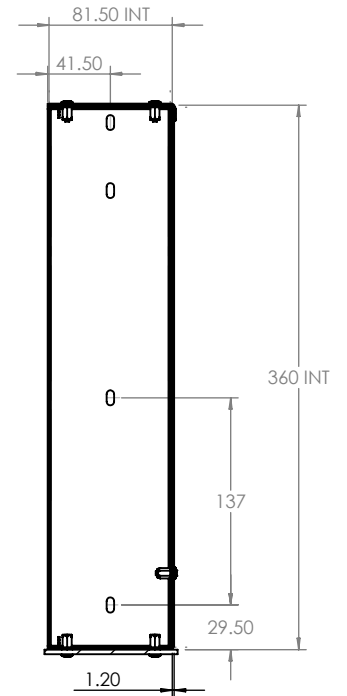
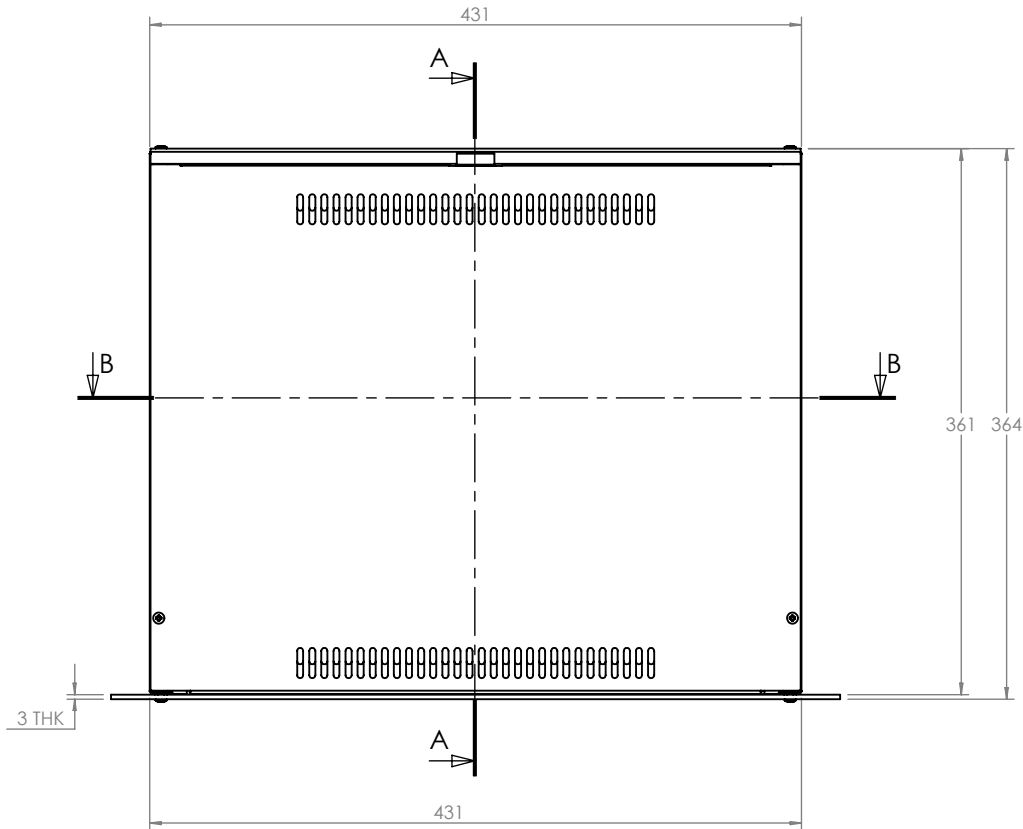
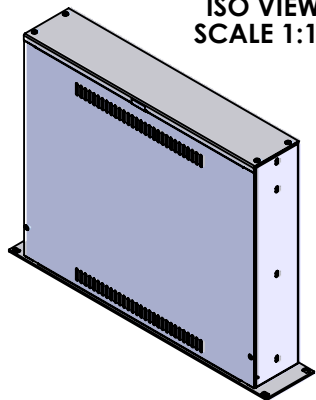




SECTION B-B



SECTION A-A

ISO VIEW
SCALE 1:10



 CAMDENBOSS JAMES CARTER RD, MILDENHALL, SUFFOLK. IP28 7DE TEL: 01638 716101 FAX: 01638 716554 EMAIL: Sales@CamdenBoss.com WEB: www.CamdenBoss.com				UNLESS OTHERWISE SPECIFIED: DIMENSIONS ARE IN MILLIMETERS		DO NOT SCALE DRAWING		REVISION. 0		
				FINISH. VAR		TITLE: GNL ASSEMBLY DRG FOR 180 SERIES- 2U 363 DEEP				
DRAWN IAN PAGANO		SIGNED I.P.		DATE 12/08/13		MATERIAL. VAR		DWG NO. C19G2363B		A4
CHK'D						PROJECTION. 		SCALE. 1 : 5		SHEET 1 OF 1