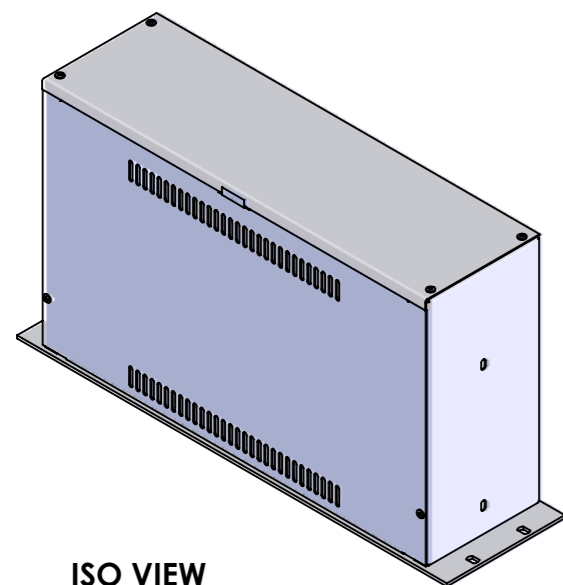


SECTION A-A



SECTION B-B



ISO VIEW  
SCALE 1:6

<p><b>CAMDENBOSS</b>          JAMES CARTER RD, MILDENHALL, SUFFOLK, IP28 7DE          TEL: 01638 716101 FAX: 01638 716554          EMAIL: Sales@CamdenBoss.com          WEB: www.CamdenBoss.com</p>				UNLESS OTHERWISE SPECIFIED: DIMENSIONS ARE IN MILLIMETERS		DO NOT SCALE DRAWING	REVISION: 0
				FINISH: <b>VAR</b>		TITLE: <b>GNL ASSEMBLY DRG FOR 180 SERIES - 3U 263 DEEP</b>	
DRAWN	NAME IAN PAGANO	SIGNATURE I.P.	DATE 12/08/13	MATERIAL: <b>VAR</b>	DWG NO. <b>C19G3263B</b>	A3	
CHK'D				PROJECTION.	SCALE:1:5	SHEET 1 OF 1	