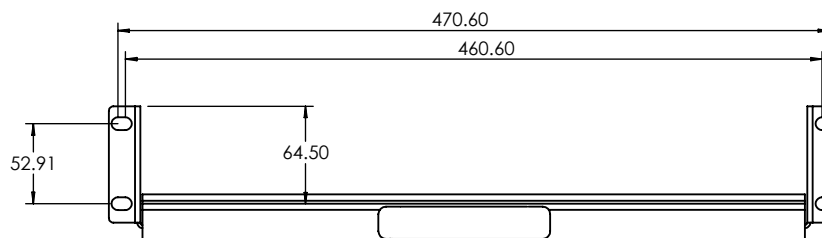
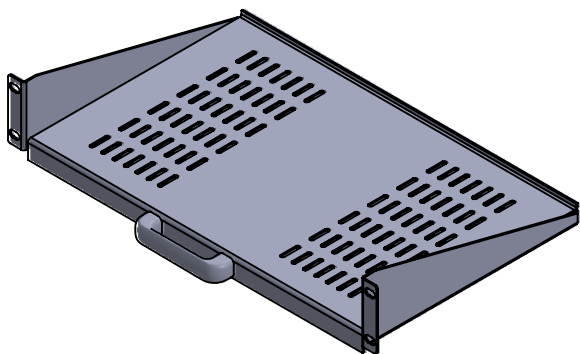




ISO VIEW  
1:7



 <b>CAMDENBOSS</b> JAMES CARTER RD, MILDENHALL, SUFFOLK. IP28 7DE TEL: 01638 716101 FAX: 01638 716554 EMAIL: Sales@CamdenBoss.com WEB: www.CamdenBoss.com		UNLESS OTHERWISE SPECIFIED: DIMENSIONS ARE IN MILLIMETERS	DO NOT SCALE DRAWING	REVISION. ○
		GENERAL TOLERANCES +/- 0.2	TITLE: <b>DIMENSION DRAWING FOR 2U CANTILEVER TELESCOPIC TRAY</b>	
		FINISH: POWDER COATED RAL: 7035	DWG NO.	<b>CAXCTT280</b>
DRAWN	IAN PAGANO	SIGNED I.P.	DATE 07/07/14	MATERIAL: 1.5 mm MILD STEEL
CHK'D	-	-	-	PROJECTION. 
			SCALE: 1:5	SHEET 1 OF 1