

COLOUR	PART NUMBER	RAL:
BLACK	CB1500-10SBK	9005
GREY	CB1500-10SGY	7047
WHITE	CB1500-10SWH	9003

CAMDENBOSS
CONNECT. ENCLOSE. INNOVATE.
JAMES CARTER RD, MILDENHALL, SUFFOLK. IP28 7DE
TEL: 01638 716101 FAX: 01638 716554
EMAIL: Sales@CamdenBoss.com
WEB: www.CamdenBoss.com

UNLESS OTHERWISE SPECIFIED:
DIMENSIONS ARE IN MILLIMETERS

FINISH:
LIGHT SPARK

COLOUR:
SEE TABLE

MATERIAL:
UV STABLE ABS UL94-V0

PROJECTION:

GENERAL TOLERANCES +/- 0.2

REVISION:

TITLE: DIMENSION DRAWING FOR 1500 SERIES BLACK WITH SOLID BODY

DWG NO. **CB1500-10Sxx-KIT** A4

	NAME	SIGNED	DATE
DRAWN	IAN PAGANO	I.P.	19/11/18
CHK'D	-	-	-

SCALE: 1:2

SHEET 1 OF 3

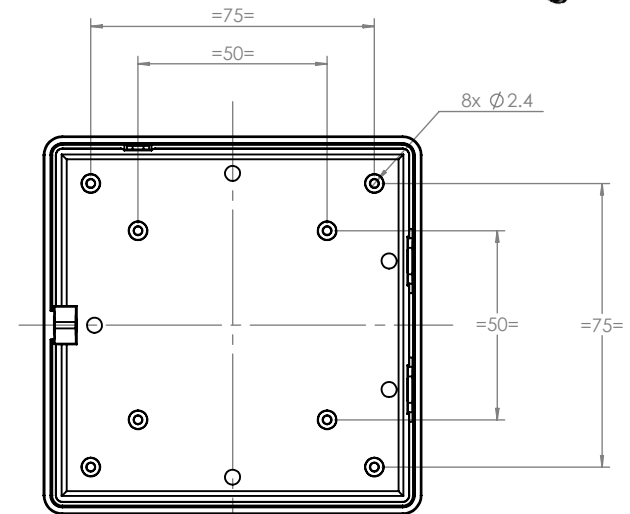
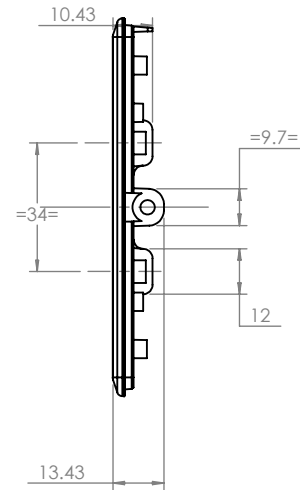
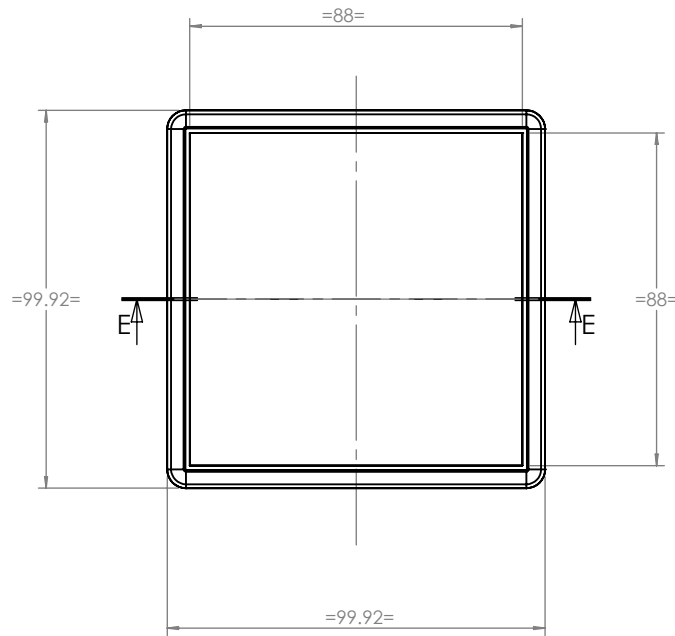
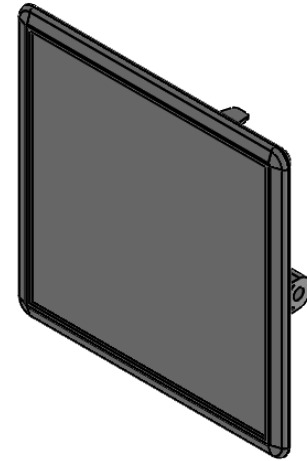
DO NOT SCALE DRAWING

2 TYP
WALL THICKNESS

1 mm
RECESS



SECTION E-E



CAMDENBOSS
CONNECT. ENCLOSE. INNOVATE.

JAMES CARTER RD, MILDENHALL, SUFFOLK. IP28 7DE
TEL: 01638 716101 FAX: 01638 716554
EMAIL: Sales@CamdenBoss.com
WEB: www.CamdenBoss.com

UNLESS OTHERWISE SPECIFIED:
DIMENSIONS ARE IN MILLIMETERS

GENERAL TOLERANCES +/- 0.2

REVISION: ○

FINISH:
LIGHT SPARK

TITLE: DIMENSION DRAWING FOR 1500
SERIES BLACK WITH SOLID BODY

COLOUR:
SEE TABLE

DWG NO. **CB1500-10Sxx-KIT**

A4

	NAME	SIGNED	DATE
DRAWN	IAN PAGANO	I.P.	19/11/18
CHKD	-	-	-

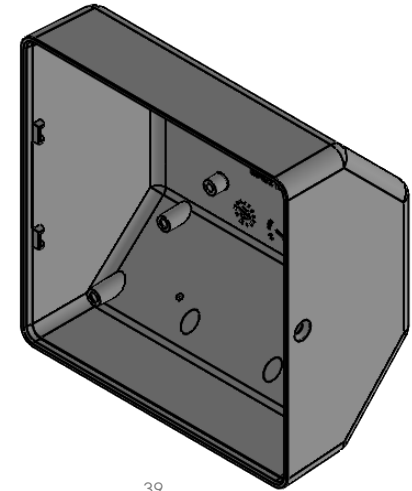
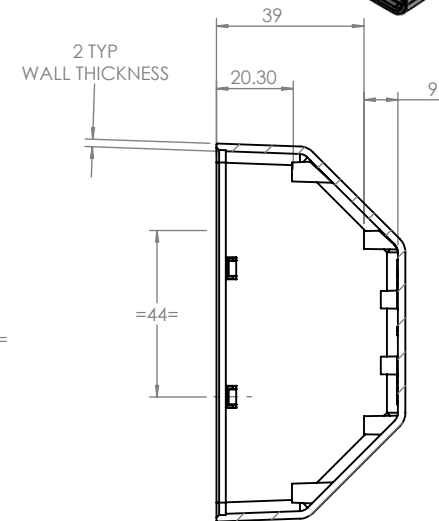
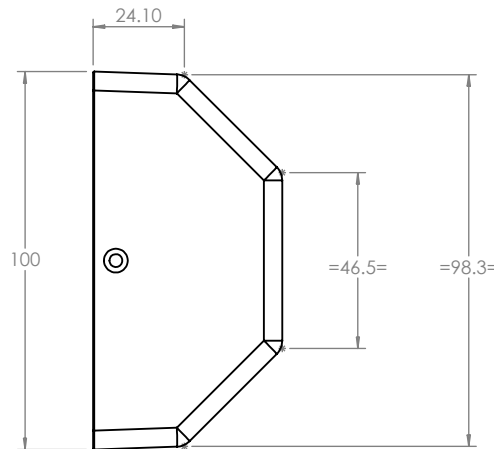
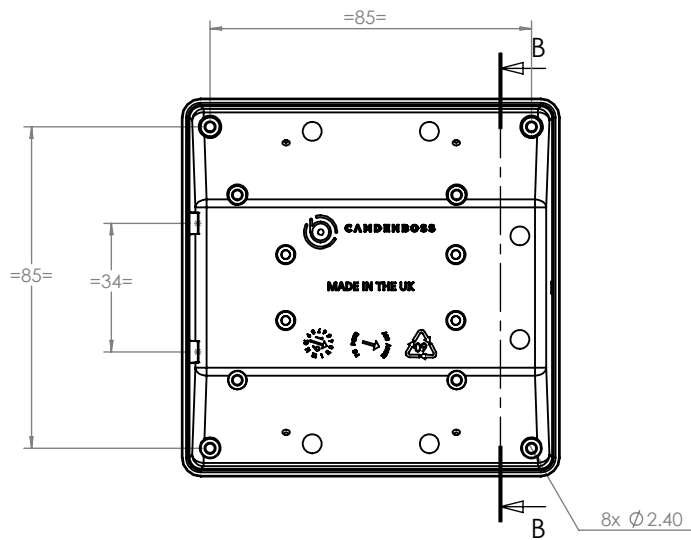
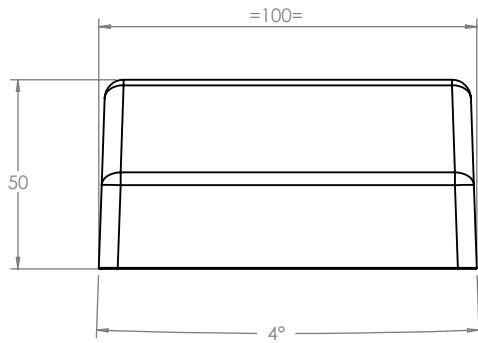
MATERIAL:
UV STABLE ABS UL94-V0

SCALE: 1:2

SHEET 2 OF 3

DO NOT SCALE DRAWING

PROJECTION:





CAMDENBOSS
 CONNECT. ENCLOSE. INNOVATE.
 JAMES CARTER RD, MILDENHALL, SUFFOLK. IP28 7DE
 TEL: 01638 716101 FAX: 01638 716554
 EMAIL: Sales@CamdenBoss.com
 WEB: www.CamdenBoss.com

UNLESS OTHERWISE SPECIFIED:
 DIMENSIONS ARE IN MILLIMETERS
 FINISH: LIGHT SPARK
 COLOUR: SEE TABLE

GENERAL TOLERANCES +/- 0.2
 REVISION:
 TITLE: DIMENSION DRAWING FOR 1500 SERIES BLACK WITH SOLID BODY

	NAME	SIGNED	DATE
DRAWN	IAN PAGANO	I.P.	19/11/18
CHKD	-	-	-

MATERIAL: UV STABLE ABS UL94-V0
 PROJECTION: 

DWG NO. **CB1500-10Sxx-KIT** A4
 SCALE: 1:2 SHEET 3 OF 3 DO NOT SCALE DRAWING