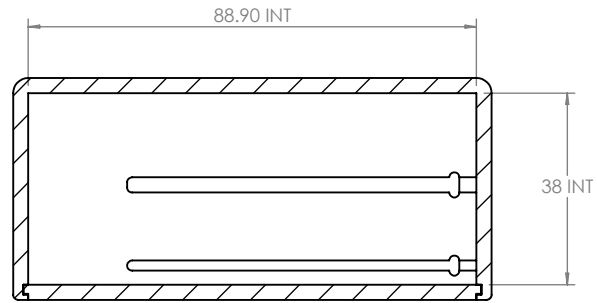
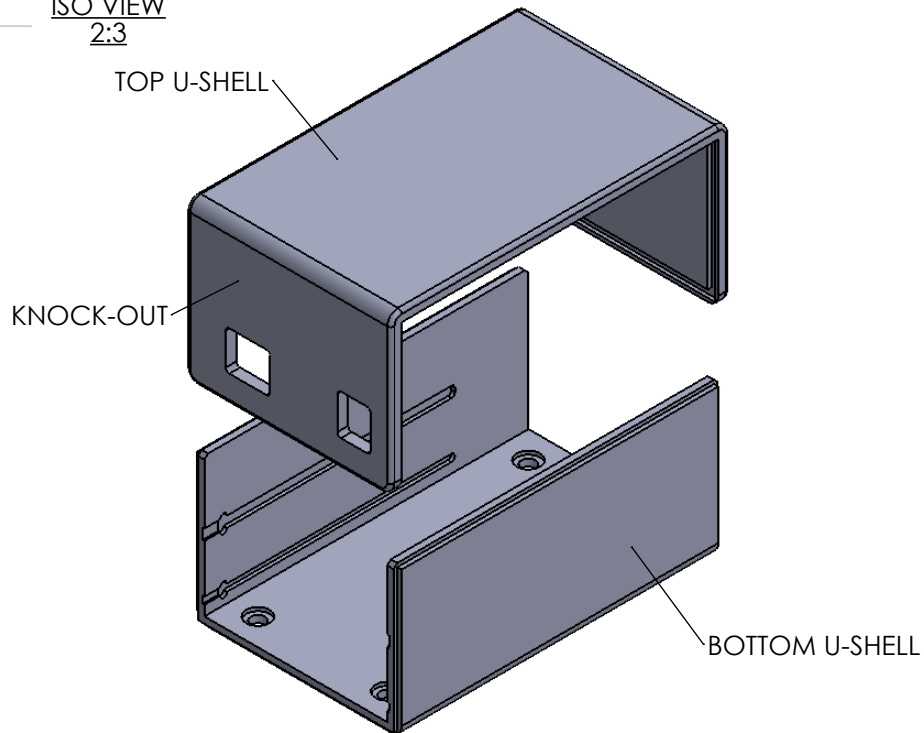



ISO VIEW
2:3



| | | | | |
|---------------------------------------------------------------------------------------------------------------------------------------------------------------------------------------------------------------------------------------------------------------|---------------|--------------------------------------------------------------|------------------------------------------------------------------------------------------------------|-------------------------|
|  CAMDENBOSS JAMES CARTER RD, MILDENHALL, SUFFOLK. IP28 7DE TEL: 01638 716101 FAX: 01638 716554 EMAIL: Sales@CamdenBoss.com WEB: www.CamdenBoss.com | | UNLESS OTHERWISE SPECIFIED: DIMENSIONS ARE IN MILLIMETERS | DO NOT SCALE DRAWING | REVISION. 0 |
| | | GENERAL TOLERANCES +/- 0.2 | TITLE: GENERAL ASSEMBLY DRAWING FOR ARDUINO ENCLOSURE | |
| DRAWN MATTHEW WALLACE | | FINISH: GLOSS | MATERIAL: 3mm THK VAR | DWG NO. CBARD |
| NAME MATTHEW WALLACE | SIGNED MJW | DATE 02/05/13 | PROJECTION.  | SCALE: 2 : 3 |
| CHK'D DAN SMALLEY | DIS DIS | DATE 02/05/13 | | SHEET 1 OF 1 |

A4