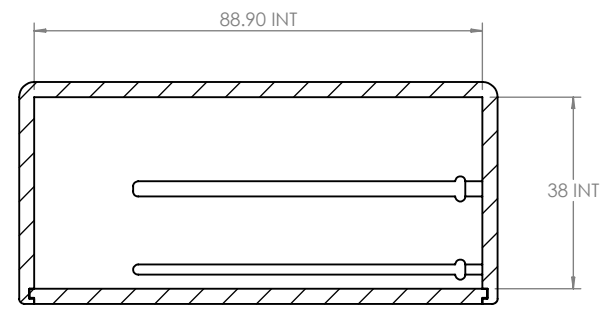
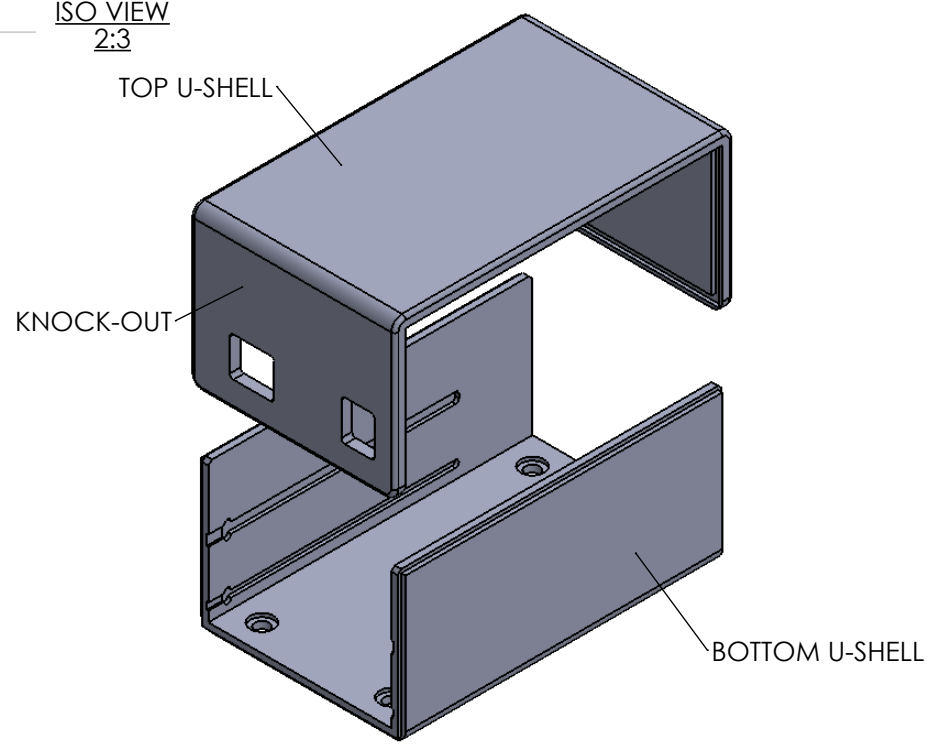



ISO VIEW  
2:3



SECTION B-B

 <b>CAMDENBOSS</b> JAMES CARTER RD, MILDENHALL, SUFFOLK. IP28 7DE TEL: 01638 716101 FAX: 01638 716554 EMAIL: Sales@CamdenBoss.com WEB: www.CamdenBoss.com		UNLESS OTHERWISE SPECIFIED: DIMENSIONS ARE IN MILLIMETERS	DO NOT SCALE DRAWING	REVISION. 0
		GENERAL TOLERANCES +/- 0.2	TITLE: <b>GENERAL ASSEMBLY DRAWING FOR ARDUINO ENCLOSURE</b>	
DRAWN MATTHEW WALLACE M JW		FINISH: <b>GLOSS</b>	DWG NO. <b>CBARD</b>	
NAME DAN SMALLEY DIS		MATERIAL: <b>3mm THK VAR</b>	SCALE: 2 : 3	
SIGNED M JW		DATE 02/05/13	SHEET 1 OF 1	
CHKD DAN SMALLEY DIS		DATE 02/05/13	A4	
PROJECTION.		