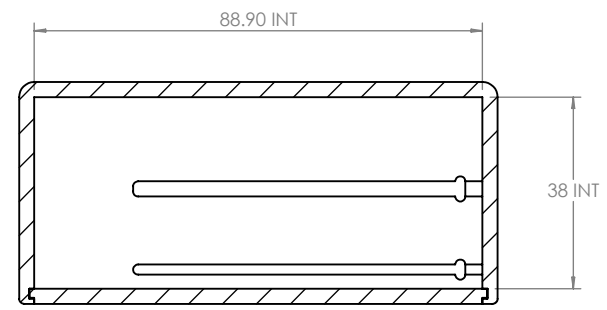
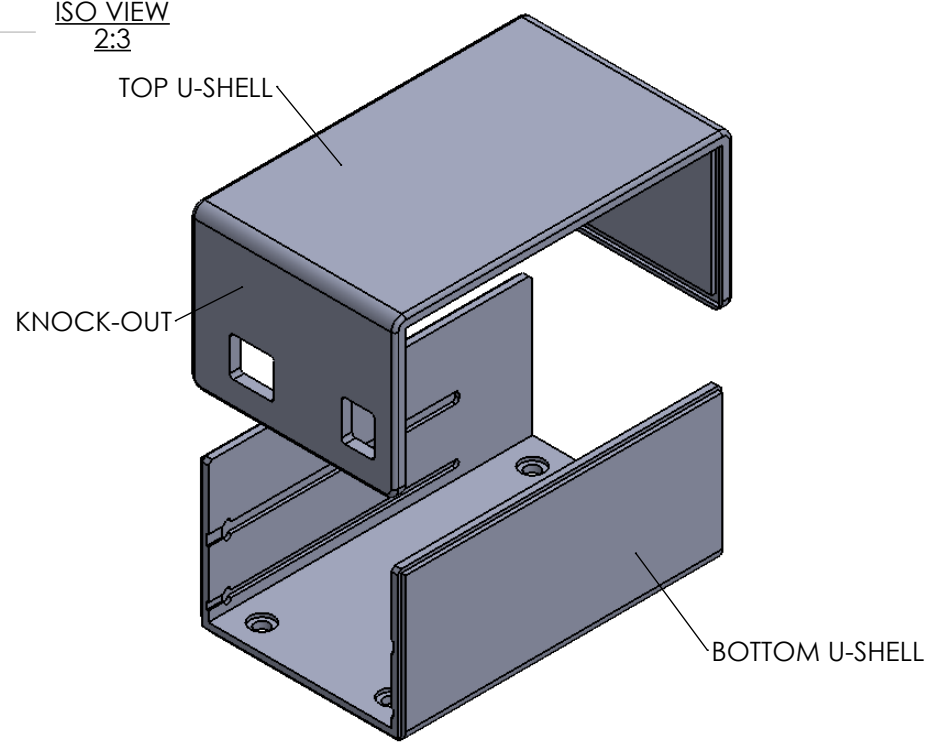



ISO VIEW
2:3



SECTION B-B

 CAMDENBOSS JAMES CARTER RD, MILDENHALL, SUFFOLK. IP28 7DE TEL: 01638 716101 FAX: 01638 716554 EMAIL: Sales@CamdenBoss.com WEB: www.CamdenBoss.com		UNLESS OTHERWISE SPECIFIED: DIMENSIONS ARE IN MILLIMETERS	DO NOT SCALE DRAWING	REVISION. 0
		GENERAL TOLERANCES +/- 0.2	TITLE: GENERAL ASSEMBLY DRAWING FOR ARDUINO ENCLOSURE	
DRAWN MATTHEW WALLACE M JW		FINISH: GLOSS	DWG NO. CBARD	
NAME DAN SMALLEY		MATERIAL: 3mm THK VAR	SCALE: 2 : 3	
SIGNED DIS		DATE 02/05/13	SHEET 1 OF 1	
CHKD DIS		DATE 02/05/13	A4	
		PROJECTION: 