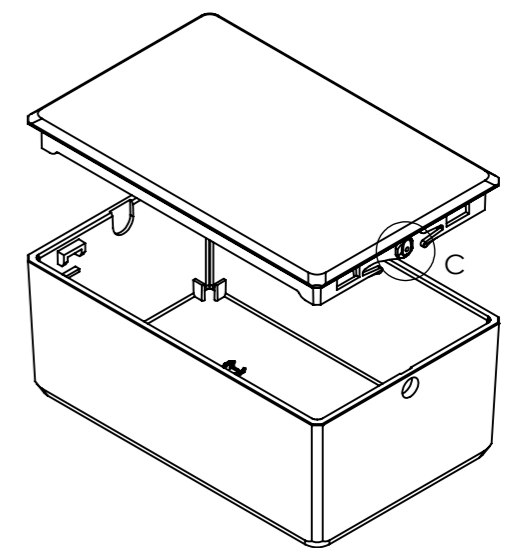
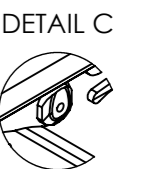
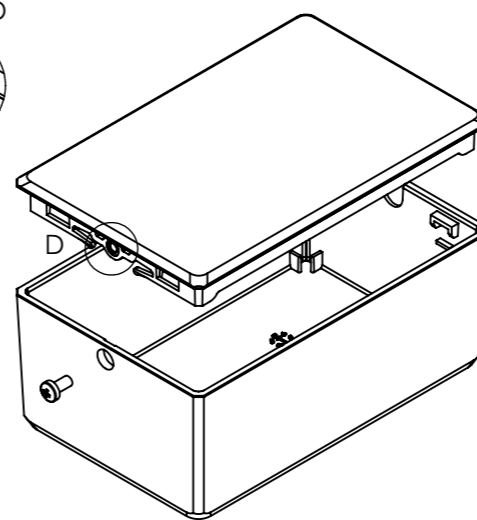


REVERSIBLE LID, RETAINING OPTIONS:

SINGLE SCREW

CLIP-IN BUTTON



COLOUR	RAL
BLACK	9005
LIGHT GREY	7047
WHITE	9003

REVISION	DATE	ECR	DESCRIPTION	NAME	CHK'D
0.0	13/09/20		FIRST DRAWN	I.PAGANO	S.HARDINGE

**CAMDENBOSS**  
CONNECT. ENCLOSE. INNOVATE.

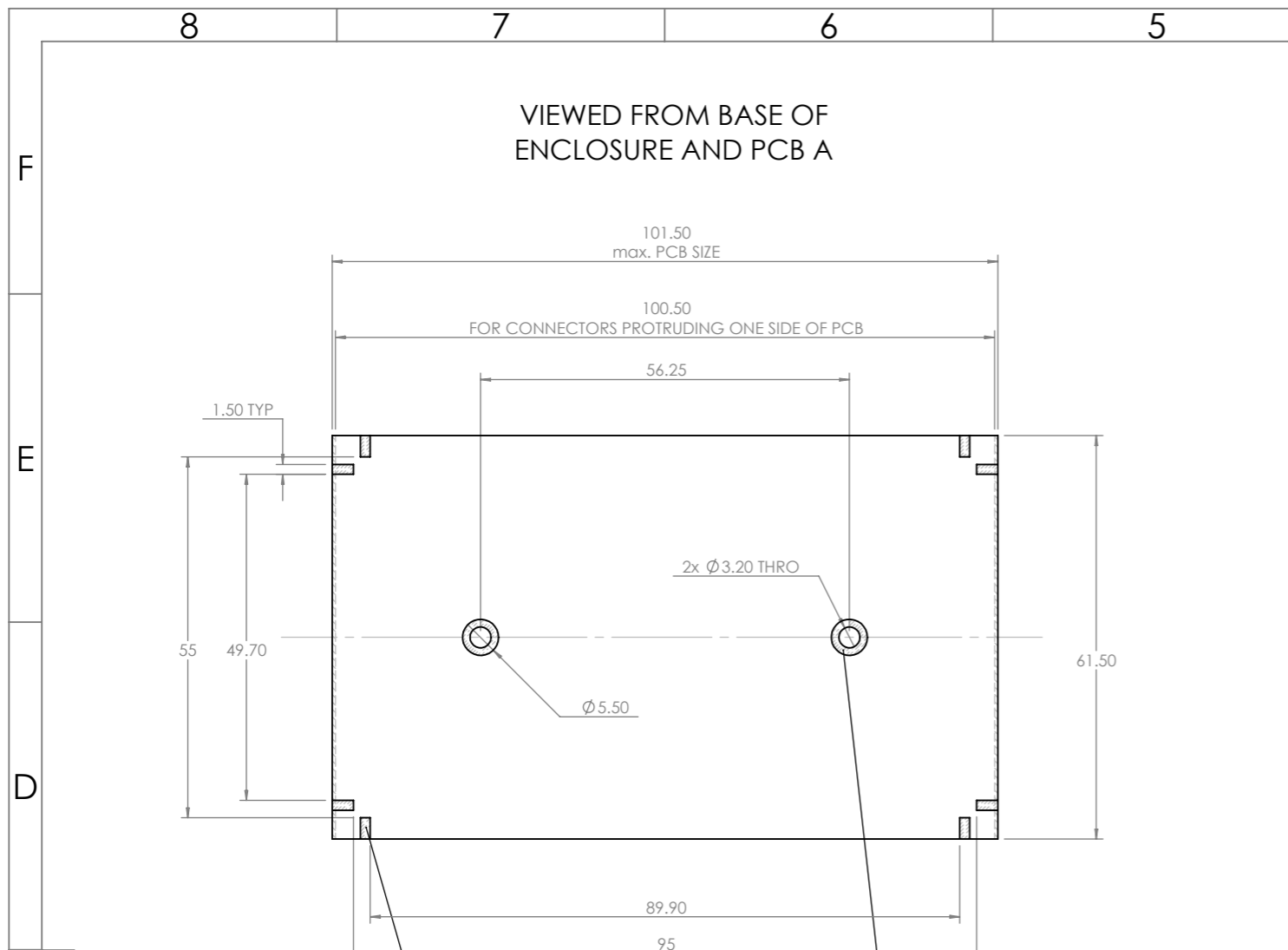
DRAWING UNITS: MILLIMETERS  
TOLERANCES: +/-0.2

PROJECTION

COLOUR:	SEE TABLE
FINISH:	VDI 30 OUTSIDE SURFACES
MATERIAL:	UL94-V0 ABS

DEBURR AND BREAK SHARP EDGES	DO NOT SCALE DRAWING
TITLE:	GNL ASSY DRG FOR SIZE 2 EASY ASSEMBLY ELECTRONICS ENCLOSURE
DWG NO.	CBEAC-02

SCALE:	1:1
SHEET	1 OF 3
A3	



8 AREAS COMPONENT FREE ON UNDERSIDE OF PCB A

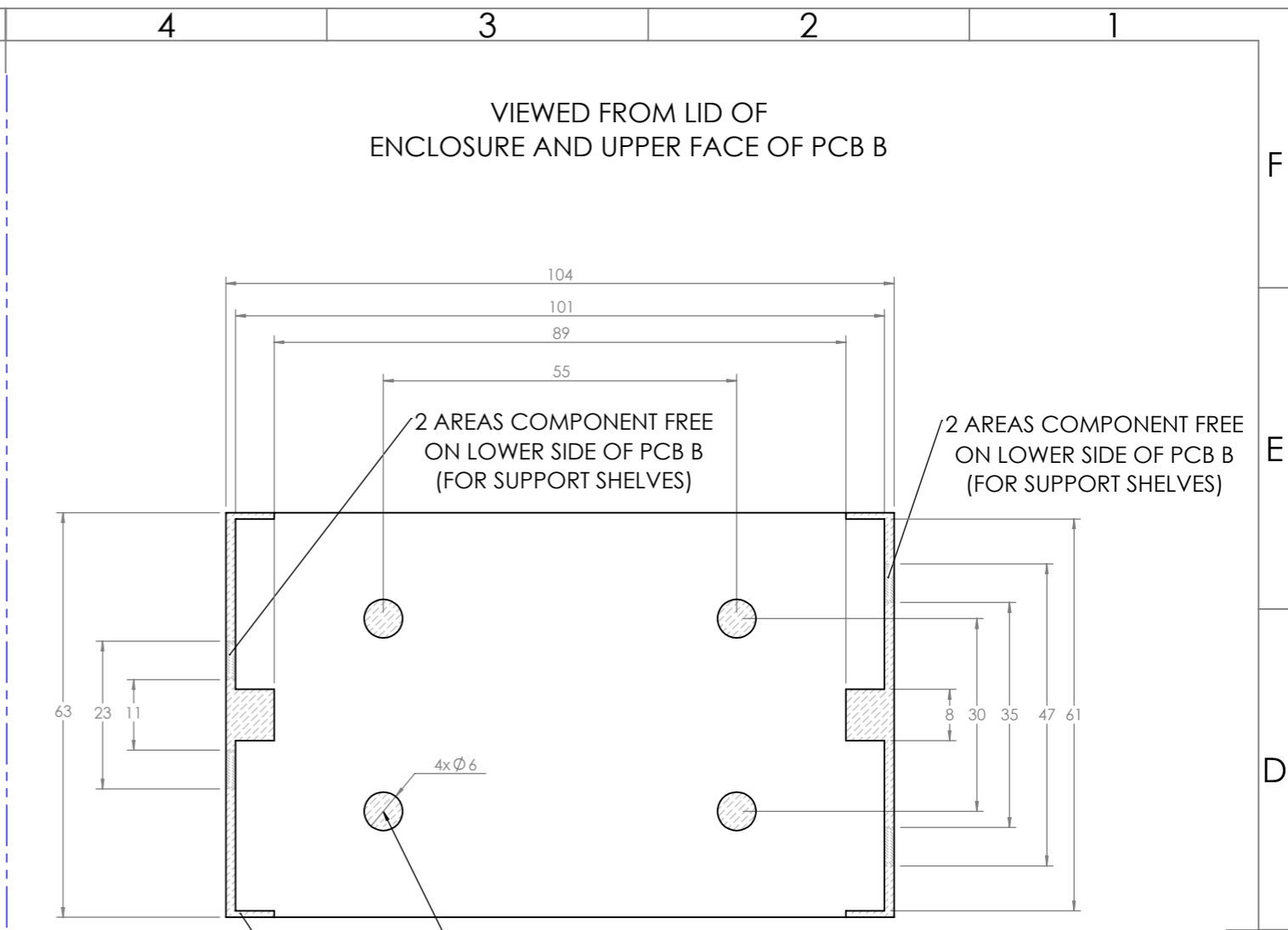
2 AREAS COMPONENT FREE ON UNDERSIDE OF PCB A

### PCB A

SCREWS TO BASE OF ENCLOSURE

CONNECTORS MAY PROTRUDE THROUGH SIDE WALL OF BASE, EITHER:

- i. ALONG SHORT EDGE OF PCB, ON OPPOSITE END TO HOLE IN BASE
- or
- ii. ALONG ONE LONG EDGE OF PCB, WITH REDUCED max. PCB LENGTH



2 AREAS COMPONENT FREE ON LOWER SIDE OF PCB B (FOR SUPPORT SHELVES)

2 AREAS COMPONENT FREE ON LOWER SIDE OF PCB B (FOR SUPPORT SHELVES)

4 AREAS RESTRICTED COMPONENT HEIGHT ON UPPER SIDE OF PCB B

2 BORDER AREAS COMPONENT FREE ON UPPER SIDE OF PCB B

### PCB B

CAPTIVATED BETWEEN BASE AND LID (NO SCREWS)

SITS ONTO FOUR SUPPORT SHELVES IN BASE  
RETAINED BY FOUR COMPRESSION FEATURES IN LID  
(TWO ON BOTH SHORT SIDES OF LID / PCB)

CONNECTORS MAY PROTRUDE THROUGH SIDE WALL OF BASE  
ALONG SHORT EDGE OF PCB, ON OPPOSITE END TO HOLE IN BASE

				<b>CAMDENBOSS</b> <small>CONNECT. ENCLOSE. INNOVATE.</small>		COLOUR: SEE TABLE	DEBURR AND BREAK SHARP EDGES	DO NOT SCALE DRAWING	SCALE: 1:1 SHEET 2 OF 3
						DRAWING UNITS: MILLIMETERS	FINISH: VDI 30 OUTSIDE SURFACES	TITLE: GNLS ASSY DRG FOR SIZE 2 EASY ASSEMBLY ELECTRONICS ENCLOSURE	
REVISION	DATE	ECR	DESCRIPTION	NAME	CHK'D	TOLERANCES: +/-0.2	PROJECTION	MATERIAL: UL94-V0 ABS	DWG NO. CBEAC-02
8	7	6	5	4	3	2	1	A3	

8 7 6 5 4 3 2 1

F F

E E

D D

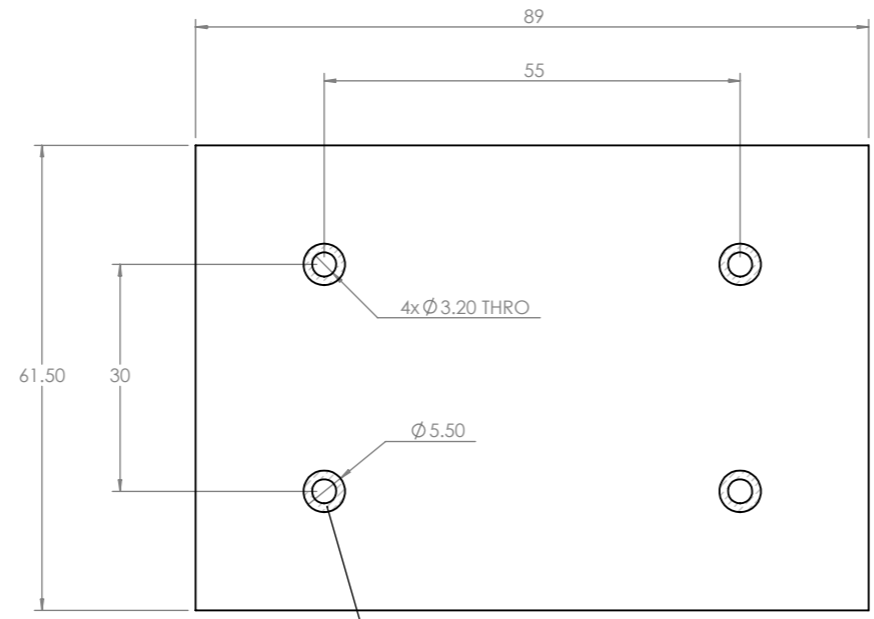
C C

B B

A A

8 7 6 5 4 3 2 1

VIEWED FROM LID OF  
ENCLOSURE AND UNDERSIDE OF PCB C



4 AREAS COMPONENT FREE  
ON UNDERSIDE OF PCB C

**PCB C**

SCREWS TO LID OF ENCLOSURE

REVISION	DATE	ECR	DESCRIPTION	NAME	CHK'D

**CAMDENBOSS**  
CONNECT. ENCLOSE. INNOVATE.

DRAWING UNITS: MILLIMETERS  
TOLERANCES: +/-0.2

PROJECTION

COLOUR:	SEE TABLE
FINISH:	VDI 30 OUTSIDE SURFACES
MATERIAL:	UL94-V0 ABS

DEBURR AND BREAK SHARP EDGES	DO NOT SCALE DRAWING
TITLE:	GNL ASSY DRG FOR SIZE 2 EASY ASSEMBLY ELECTRONICS ENCLOSURE
DWG NO.	CBEAC-02

SCALE:	1:1
SHEET 3 OF 3	
SIZE:	A3