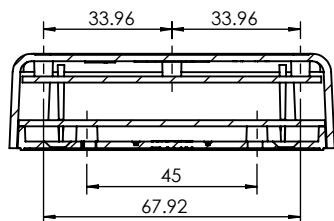
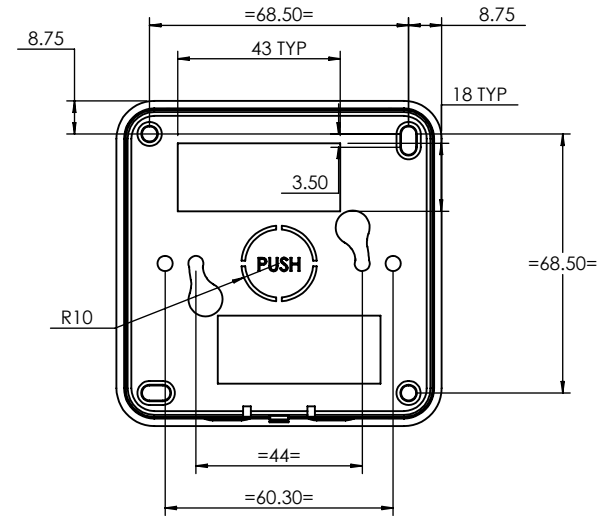
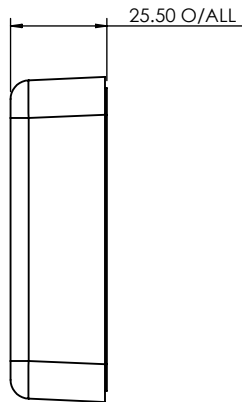
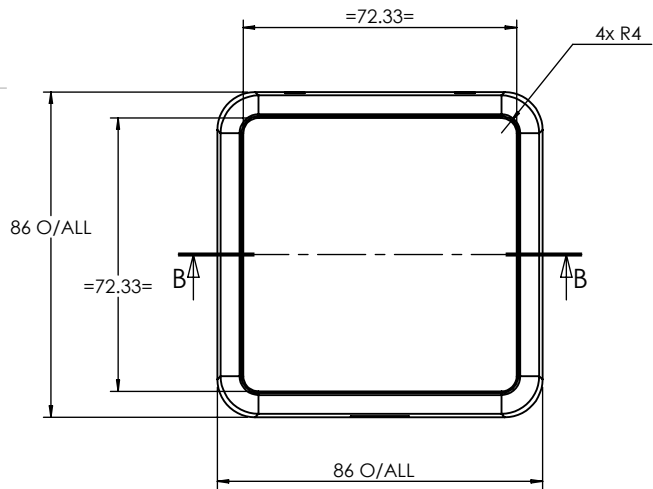
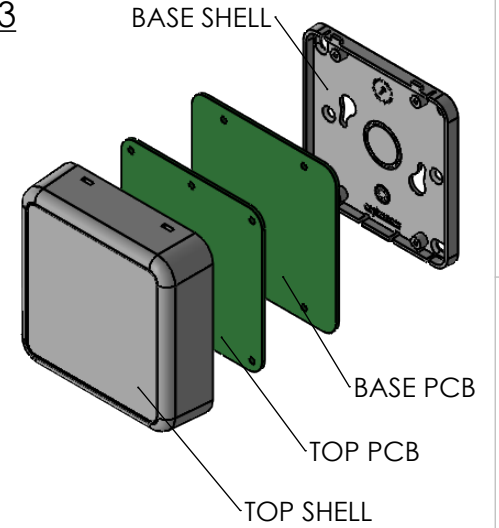
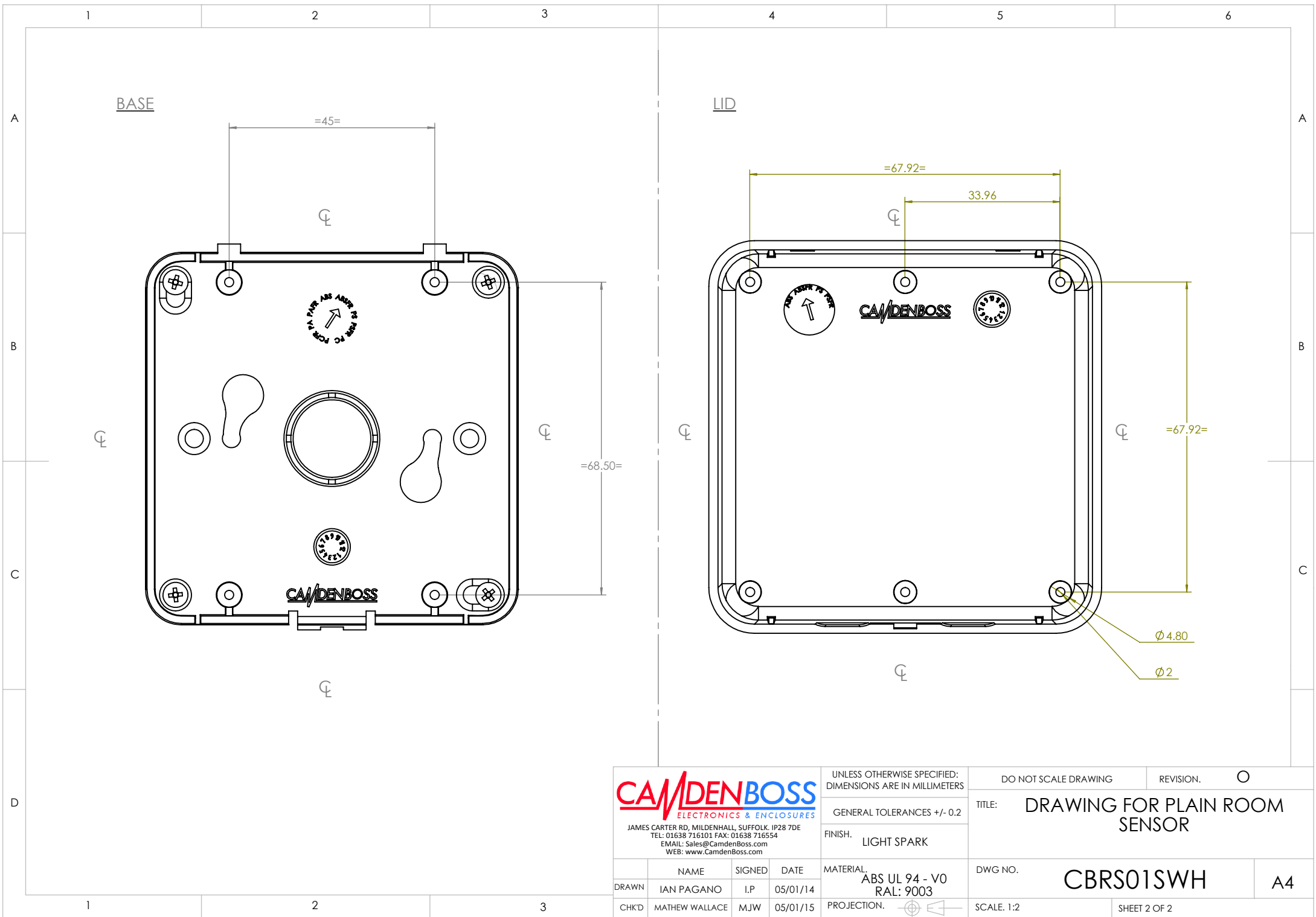


ISO VIEW
1:3



SECTION B-B

JAMES CARTER RD, MILDENHALL, SUFFOLK. IP28 7DE TEL: 01638 716101 FAX: 01638 716554 EMAIL: Sales@CamdenBoss.com WEB: www.CamdenBoss.com				UNLESS OTHERWISE SPECIFIED: DIMENSIONS ARE IN MILLIMETERS	DO NOT SCALE DRAWING	REVISION.	○			
				GENERAL TOLERANCES +/- 0.2	TITLE: DRAWING FOR PLAIN ROOM SENSOR					
DRAWN	IAN PAGANO	SIGNED	I.P.	DATE	05/01/14	MATERIAL.	ABS UL 94 - V0 RAL: 9003	DWG NO.	CBR01SWH	A4
CHK'D	MATHEW WALLACE	MJW		05/01/15	PROJECTION.	SCALE: 1:2	SHEET 1 OF 2			



<p>JAMES CARTER RD, MILDENHALL, SUFFOLK. IP28 7DE TEL: 01638 716101 FAX: 01638 716554 EMAIL: Sales@CamdenBoss.com WEB: www.CamdenBoss.com</p>				UNLESS OTHERWISE SPECIFIED: DIMENSIONS ARE IN MILLIMETERS		DO NOT SCALE DRAWING		REVISION. ○	
				GENERAL TOLERANCES +/- 0.2		TITLE: DRAWING FOR PLAIN ROOM SENSOR			
FINISH. LIGHT SPARK				MATERIAL. ABS UL 94 - V0 RAL: 9003		DWG NO. CBR01SWH		A4	
DRAWN	IAN PAGANO	I.P.	05/01/14	PROJECTION.		SCALE: 1:2		SHEET 2 OF 2	
CHK'D	MATHEW WALLACE	M.J.W.	05/01/15						