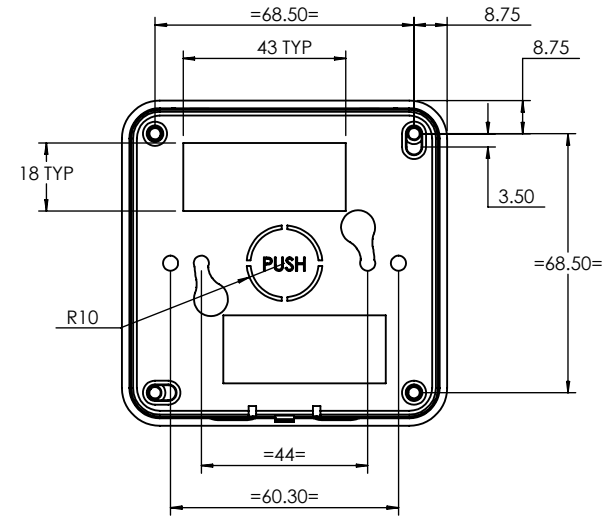
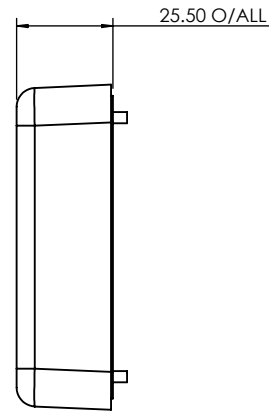
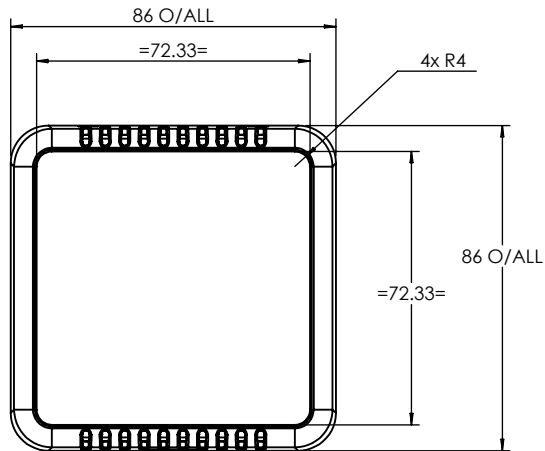
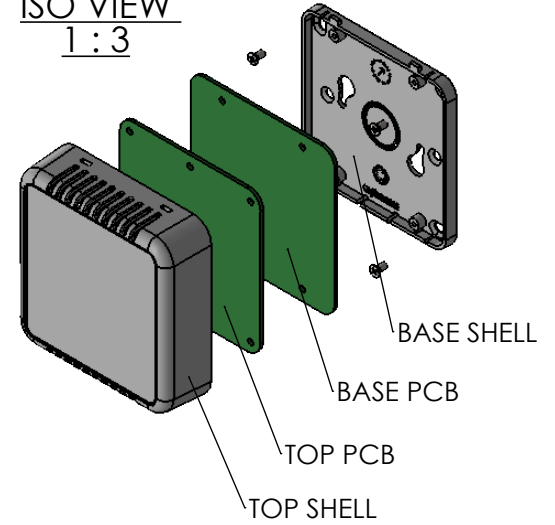

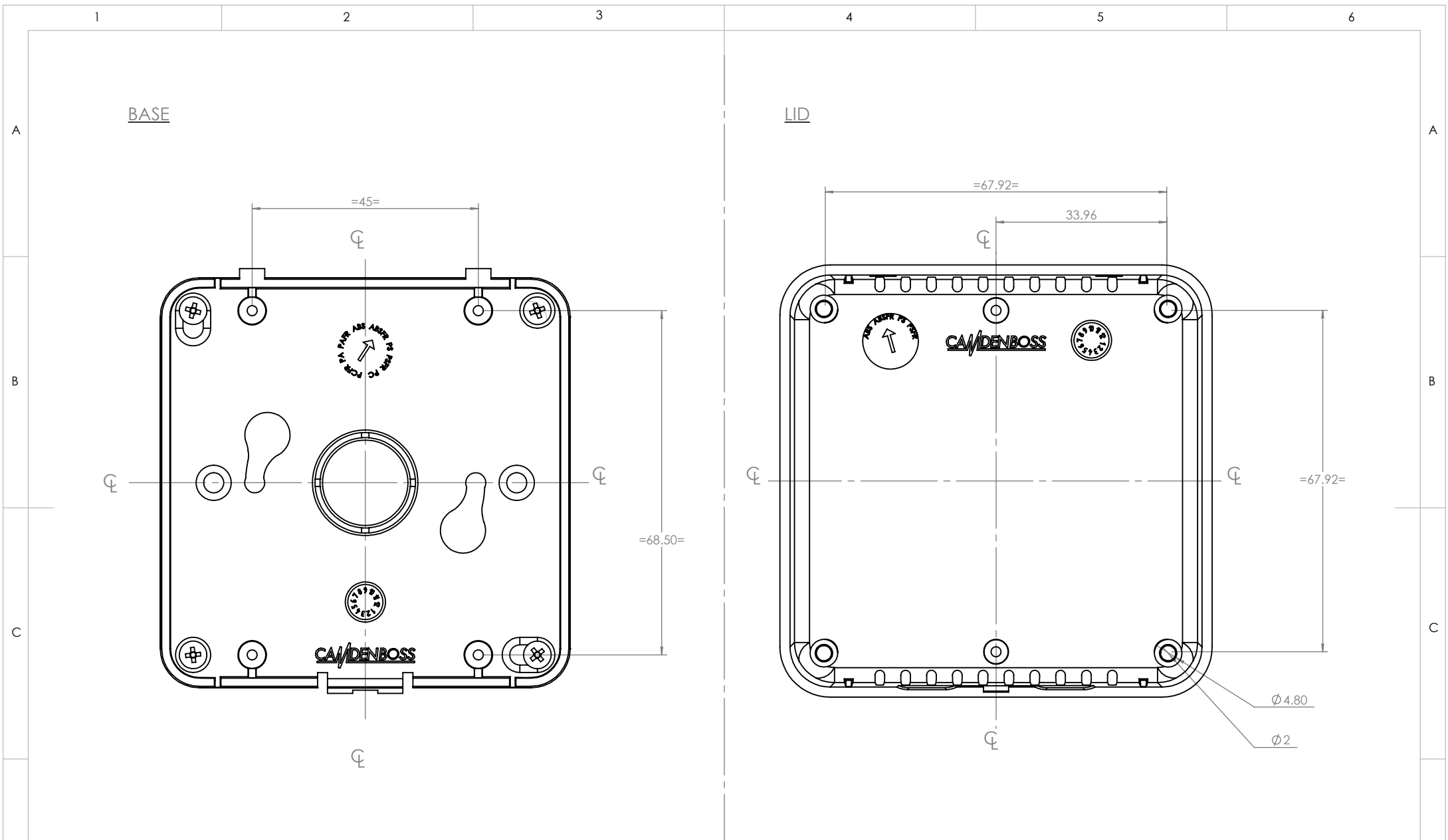


ISO VIEW
1:3



 CAMDENBOSS JAMES CARTER RD, MILDENHALL, SUFFOLK. IP28 7DE TEL: 01638 716101 FAX: 01638 716554 EMAIL: Sales@CamdenBoss.com WEB: www.CamdenBoss.com			UNLESS OTHERWISE SPECIFIED: DIMENSIONS ARE IN MILLIMETERS		DO NOT SCALE DRAWING		REVISION. ○	
			GENERAL TOLERANCES +/- 0.2		TITLE: DRAWING FOR VENTED ROOM SENSOR			
FINISH. LIGHT SPARK			MATERIAL. ABS UL 94 - V0 RAL: 9003		DWG NO. CBR01VWH		A4	
DRAWN	IAN PAGANO	I.P.	05/01/14	PROJECTION.	SCALE: 1:2		SHEET 1 OF 2	
CHK'D	MATHEW WALLACE	M.J.W.	05/01/14					



CAMDENBOSS
 ELECTRONICS & ENCLOSURES
 JAMES CARTER RD, MILDENHALL, SUFFOLK. IP28 7DE
 TEL: 01638 716101 FAX: 01638 716554
 EMAIL: Sales@CamdenBoss.com
 WEB: www.CamdenBoss.com

UNLESS OTHERWISE SPECIFIED:
 DIMENSIONS ARE IN MILLIMETERS
 GENERAL TOLERANCES +/- 0.2
 FINISH. LIGHT SPARK
 MATERIAL. ABS UL 94 - V0
 RAL: 9003
 PROJECTION.

DO NOT SCALE DRAWING
 REVISION.
 TITLE: DRAWING FOR VENTED ROOM SENSOR
 DWG NO. CBR01VWH
 SCALE: 1:2
 SHEET 2 OF 2

	NAME	SIGNED	DATE
DRAWN	IAN PAGANO	I.P.	05/01/14
CHK'D	MATHEW WALLACE	M.J.W.	05/01/14

MATERIAL.	ABS UL 94 - V0 RAL: 9003	DWG NO.	CBR01VWH	A4
PROJECTION.		SCALE: 1:2	SHEET 2 OF 2	