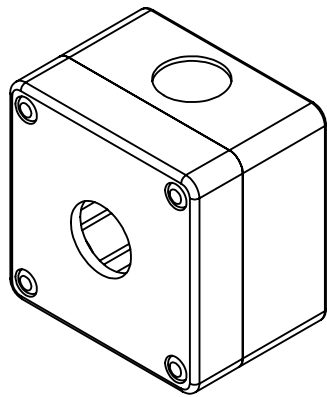
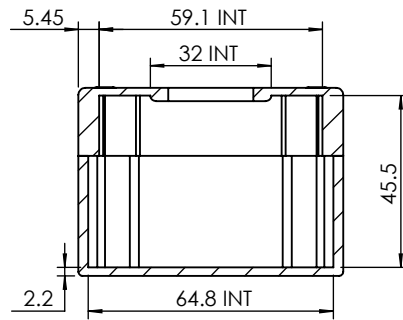
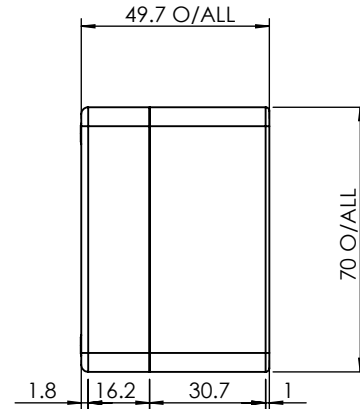
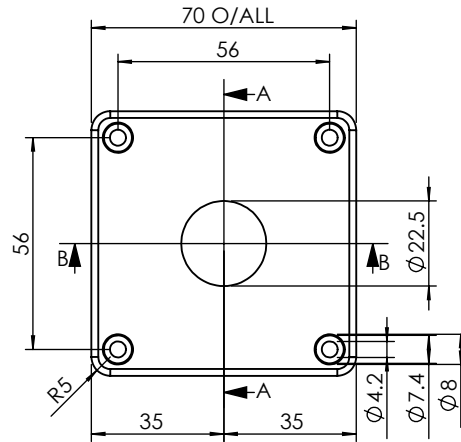
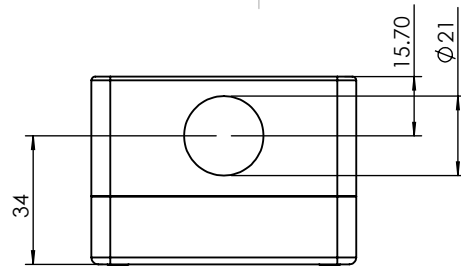




ISO VIEW
1:2



SECTION A-A
Cut-out Dimensions



SECTION B-B

 CAMDENBOSS JAMES CARTER RD, MILDENHALL, SUFFOLK. IP28 7DE TEL: 01638 716101 FAX: 01638 716554 EMAIL: Sales@CamdenBoss.com WEB: www.CamdenBoss.com				UNLESS OTHERWISE SPECIFIED: DIMENSIONS ARE IN MILLIMETERS	DO NOT SCALE DRAWING	REVISION. <input type="checkbox"/>
				GENERAL TOLERANCES +/- 0.2	TITLE: GENERAL DIMENSION DRAWING FOR SINGLE BUTTON CONTROL STATION YELLOW LID	
	FINISH. FINE TEXTURE	MATERIAL. ABS	DWG NO. CCS00YW01	A4		
DRAWN	LEWIS LETCHFORD	SIGNED	LL	DATE	14/04/2014	SCALE. 1:2
CHKD	-	-	-	PROJECTION.		SHEET 1 OF 1