

1 2 3 4 5 6

A

A

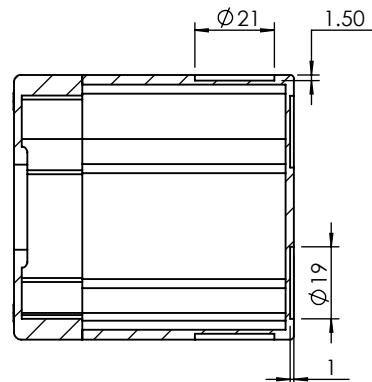
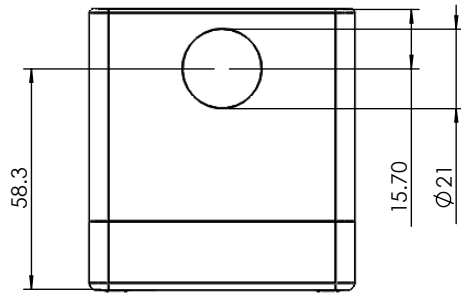
B

B

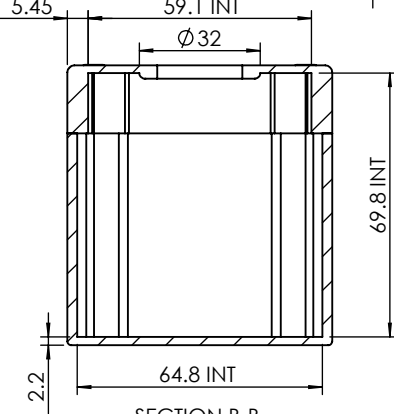
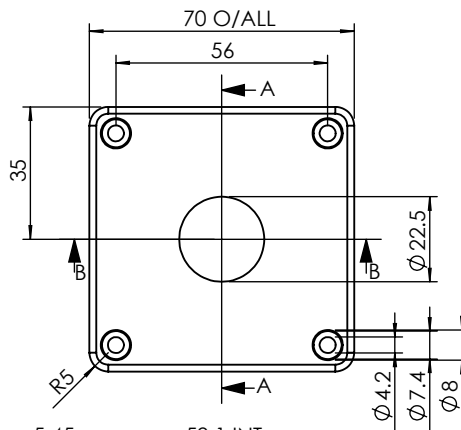
C

C

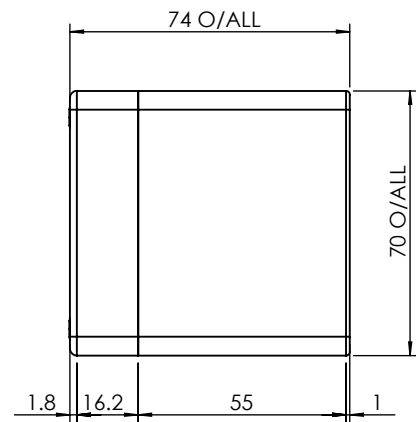
D



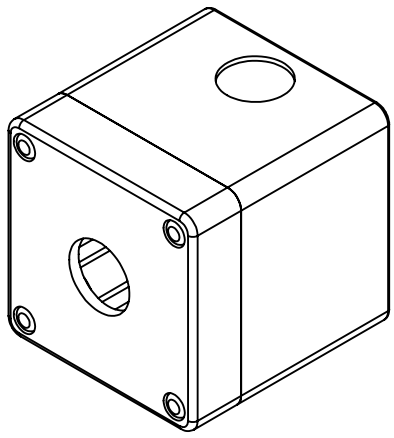
SECTION A-A  
Cut-out Dimensions




SECTION B-B



ISO VIEW  
1:2



 <b>CAMDENBOSS</b> JAMES CARTER RD, MILDENHALL, SUFFOLK. IP28 7DE TEL: 01638 716101 FAX: 01638 716554 EMAIL: Sales@CamdenBoss.com WEB: www.CamdenBoss.com		UNLESS OTHERWISE SPECIFIED: DIMENSIONS ARE IN MILLIMETERS	DO NOT SCALE DRAWING	REVISION. <input type="checkbox"/>
		GENERAL TOLERANCES +/- 0.2	TITLE: <b>GENERAL DIMENSION DRAWING FOR SINGLE BUTTON CONTROL STATION YELLOW LID</b>	
FINISH. FINE TEXTURE		MATERIAL. <b>ABS</b>	DWG NO. <b>CCS03YW01</b>	<b>A4</b>
DRAWN	NAME LEWIS LETCHFORD	SIGNED LL	DATE 14/04/2014	SCALE. 1:2
CHKD	-	-	-	SHEET 1 OF 1

1 2 3 4 5 6