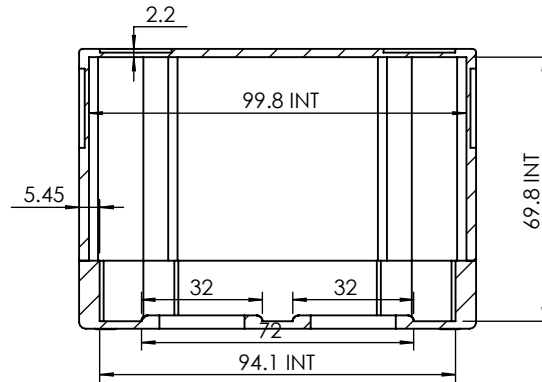
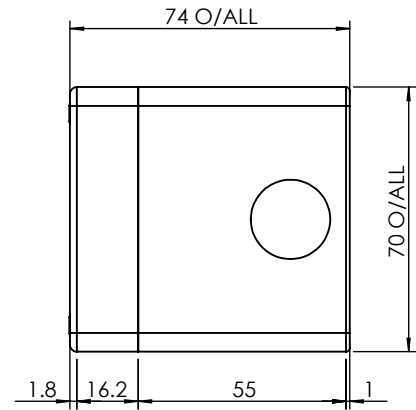
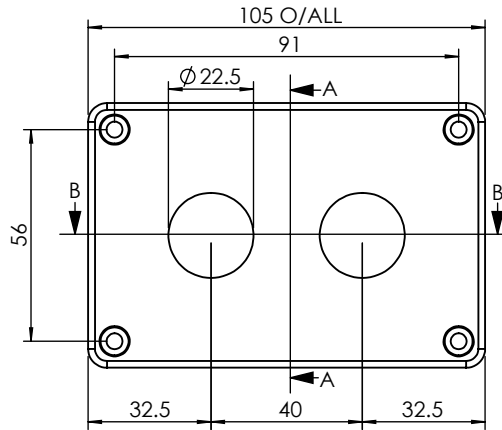
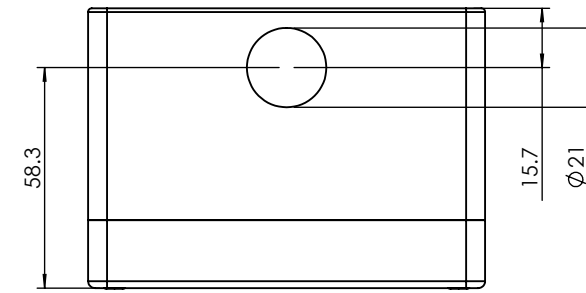
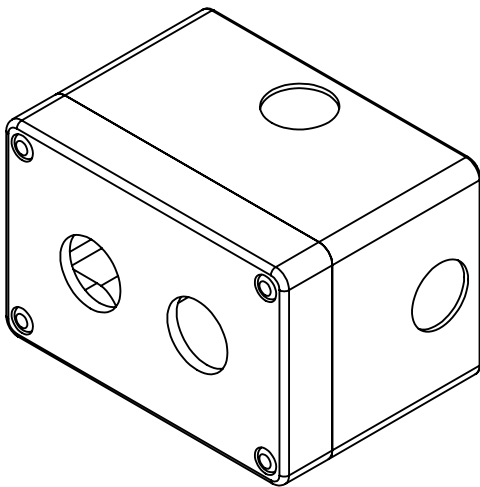



SECTION A-A  
Cut-out Dimensions



SECTION B-B

ISO VIEW  
1:2



 <b>CAMDENBOSS</b> JAMES CARTER RD, MILDENHALL, SUFFOLK. IP28 7DE TEL: 01638 716101 FAX: 01638 716554 EMAIL: Sales@CamdenBoss.com WEB: www.CamdenBoss.com				UNLESS OTHERWISE SPECIFIED: DIMENSIONS ARE IN MILLIMETERS	DO NOT SCALE DRAWING	REVISION. <input type="checkbox"/>
				GENERAL TOLERANCES +/- 0.2	TITLE: <b>GENERAL DIMENSION DRAWING FOR TWO BUTTON CONTROL STATION</b>	
	FINISH. FINE TEXTURE	MATERIAL. ABS		DWG NO. <b>CCS06GY02</b>	A4	
DRAWN	LEWIS LETCHFORD	SIGNED	LL	DATE	14/04/2014	SCALE. 1:2
CHK'D	-	-	-	-	-	SHEET 1 OF 1