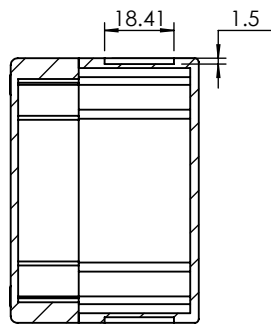
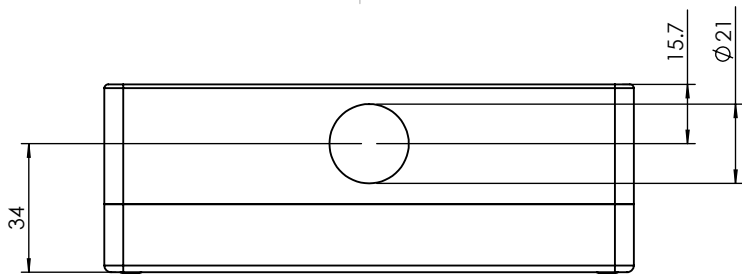


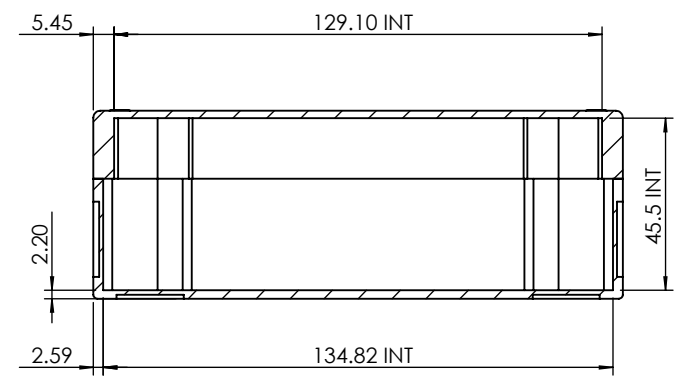
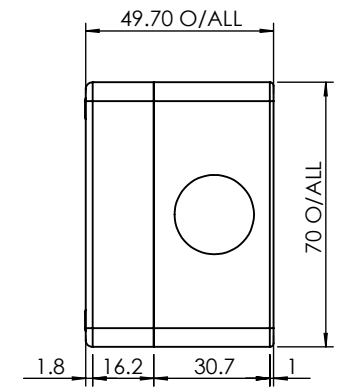
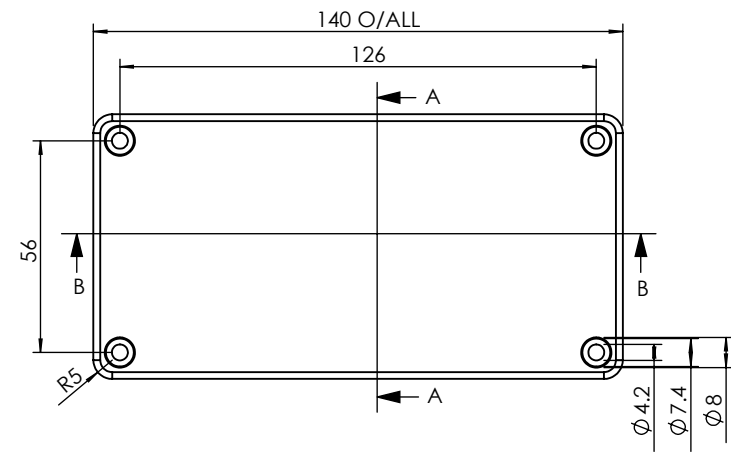
1 2 3 4 5 6

A

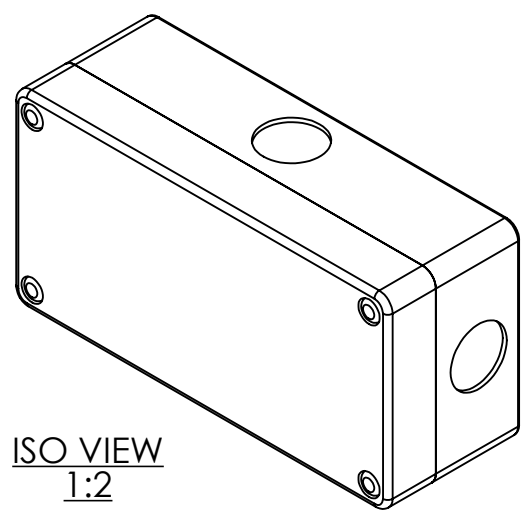
A



SECTION A-A  
Cut-out Dimensions



SECTION B-B



ISO VIEW  
1:2



B

B

C

C

D

 <b>CAMDENBOSS</b> JAMES CARTER RD, MILDENHALL, SUFFOLK. IP28 7DE TEL: 01638 716101 FAX: 01638 716554 EMAIL: Sales@CamdenBoss.com WEB: www.CamdenBoss.com				UNLESS OTHERWISE SPECIFIED: DIMENSIONS ARE IN MILLIMETERS	DO NOT SCALE DRAWING	REVISION. <input type="checkbox"/>
				GENERAL TOLERANCES +/- 0.2	TITLE: <b>GENERAL DIMENSION DRAWING FOR STANDARD CONTROL STATION ENCLOSURE</b>	
	NAME	SIGNED	DATE	MATERIAL. <b>ABS</b>	DWG NO. <b>CCS07GY00</b>	<b>A4</b>
	LEWIS LETCHFORD	LL	11/04/2014			
CHK'D	-	-	-	PROJECTION. 	SCALE: 1:2	SHEET 1 OF 1

1 2 3