

1 2 3 4 5 6

A

A

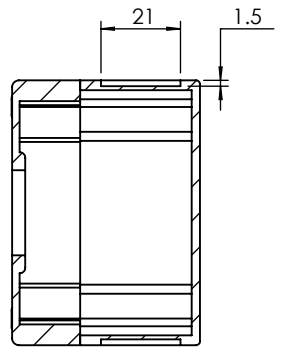
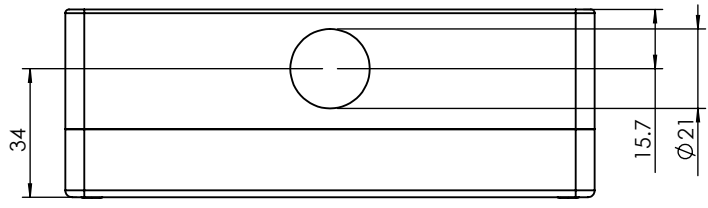
B

B

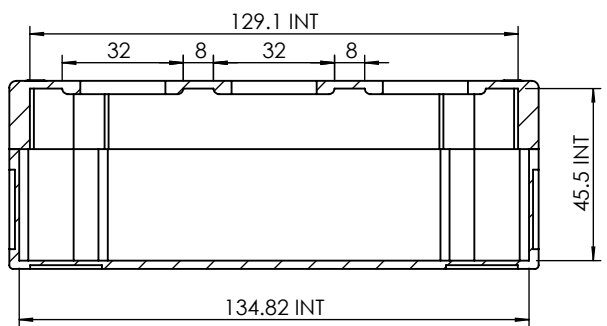
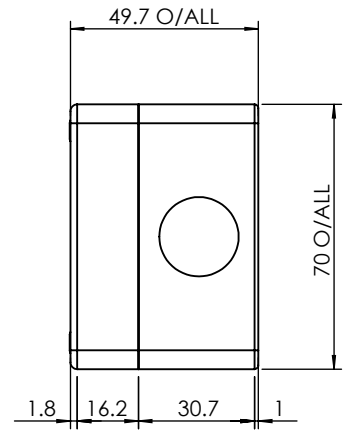
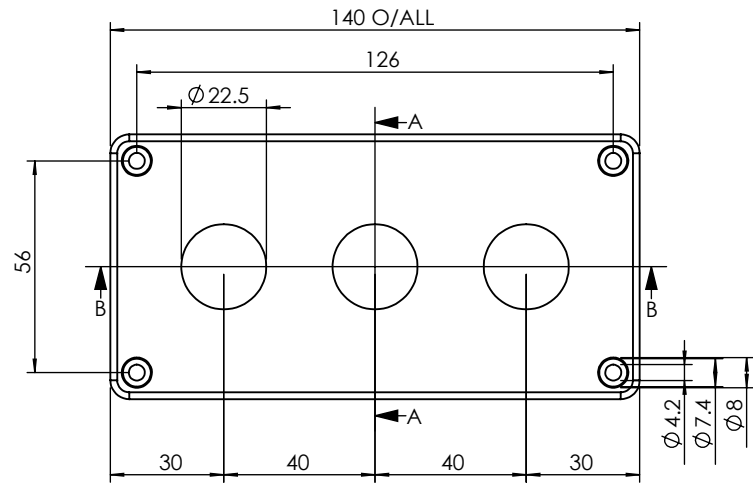
C

C

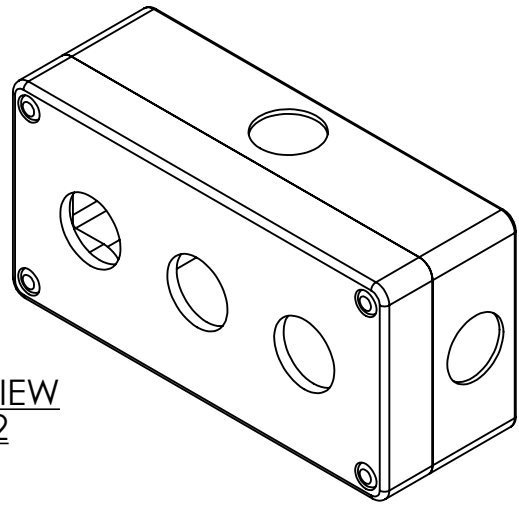
D





SECTION A-A
Cut-out Dimensions



SECTION B-B



ISO VIEW
1:2

 CAMDENBOSS JAMES CARTER RD, MILDENHALL, SUFFOLK. IP28 7DE TEL: 01638 716101 FAX: 01638 716554 EMAIL: Sales@CamdenBoss.com WEB: www.CamdenBoss.com				UNLESS OTHERWISE SPECIFIED: DIMENSIONS ARE IN MILLIMETERS	DO NOT SCALE DRAWING	REVISION. <input type="checkbox"/>
				GENERAL TOLERANCES +/- 0.2	TITLE: GENERAL DIMENSION DRAWING FOR THREE BUTTON CONTROL STATION	
	FINISH. FINE TEXTURE	MATERIAL. ABS	DWG NO. CCS07GY03	A4		
DRAWN	LEWIS LETCHFORD	L.L.	14/04/2014	PROJECTION. 	SCALE: 1:2	SHEET 1 OF 1
CHK'D	-	-	-			

1 2 3