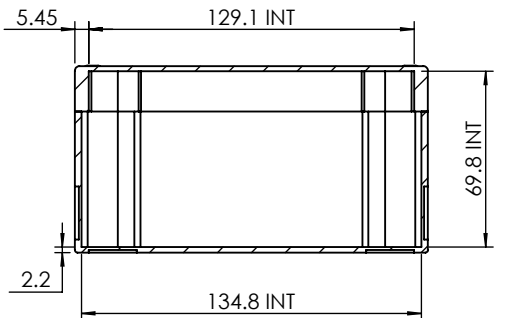
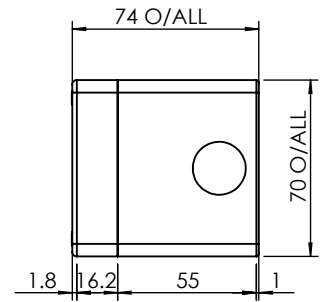
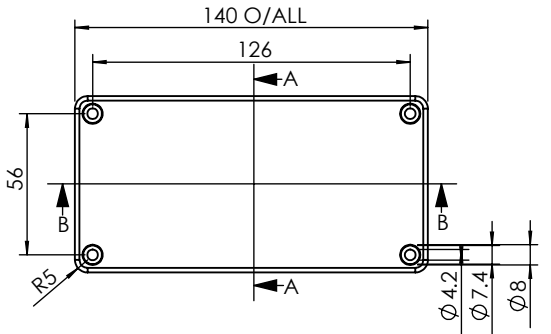
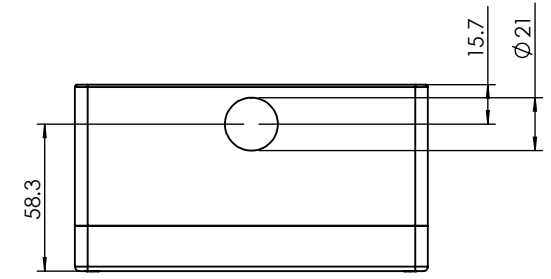
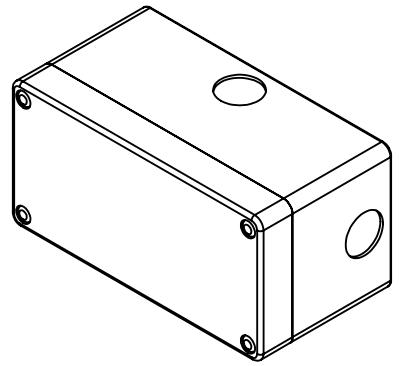




SECTION A-A
Cut-out Dimensions



SECTION B-B

ISO VIEW
1:3



 CAMDENBOSS JAMES CARTER RD, MILDENHALL, SUFFOLK. IP28 7DE TEL: 01638 716101 FAX: 01638 716554 EMAIL: Sales@CamdenBoss.com WEB: www.CamdenBoss.com			UNLESS OTHERWISE SPECIFIED: DIMENSIONS ARE IN MILLIMETERS	DO NOT SCALE DRAWING	REVISION. <input type="checkbox"/>
			GENERAL TOLERANCES +/- 0.2	TITLE: GENERAL DIMENSION DRAWING FOR STANDARD CONTROL STATION ENCLOSURE	
			FINISH. FINE TEXTURE	MATERIAL. ABS	DWG NO. CCS08GY00
DRAWN	LEWIS LETCHFORD	SIGNED	LL	DATE	11/04/2014
CHK'D	-	-	-	-	-
PROJECTION. 			SCALE. 1:3	SHEET 1 OF 1	