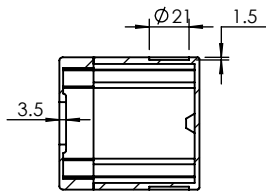
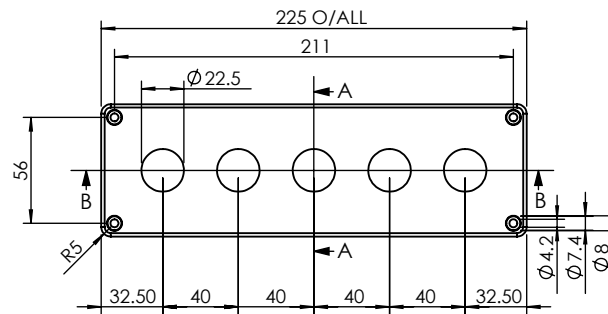
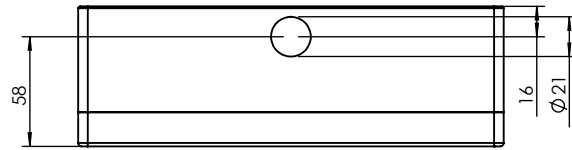


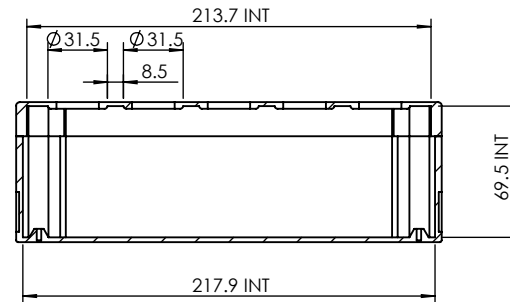
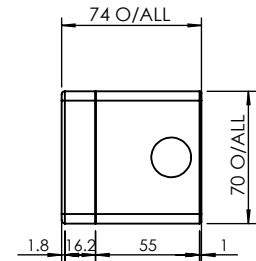
ISO VIEW
1:3





SECTION A-A
Cut-out Dimensions



SECTION B-B



 CAMDENBOSS JAMES CARTER RD, MILDENHALL, SUFFOLK. IP28 7DE TEL: 01638 716101 FAX: 01638 716554 EMAIL: Sales@CamdenBoss.com WEB: www.CamdenBoss.com			UNLESS OTHERWISE SPECIFIED: DIMENSIONS ARE IN MILLIMETERS	DO NOT SCALE DRAWING	REVISION. <input type="checkbox"/>
			GENERAL TOLERANCES +/- 0.2	TITLE: GENERAL DIMENSION DRAWING FOR FIVE BUTTON CONTROL STATION	
DRAWN	NAME	SIGNED	DATE	MATERIAL.	DWG NO.
CHK'D	LEWIS LETCHFORD	L.L.	14/04/2014	ABS	CCS11GY05
PROJECTION. 				SCALE: 1:4	SHEET 1 OF 1

A4