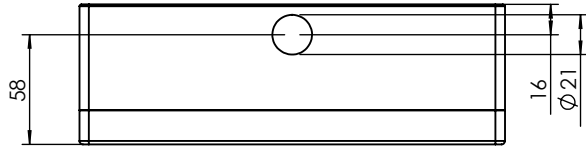


1 2 3 4 5 6

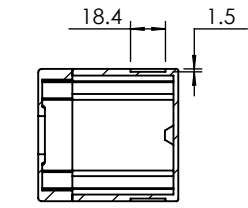
A

A

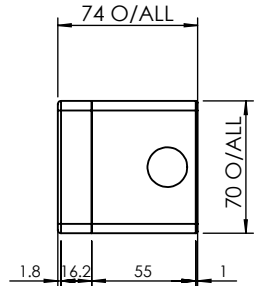
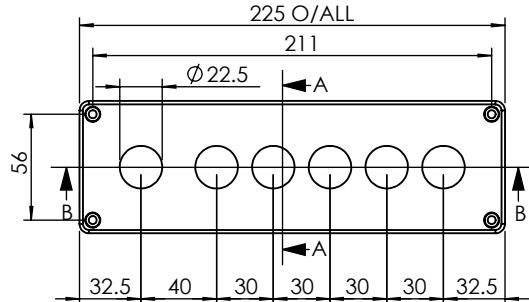


B

B

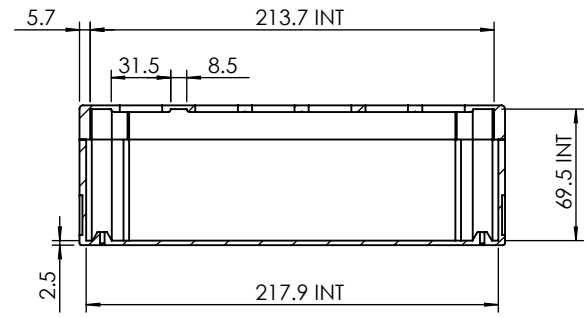


SECTION A-A
Cut-out Dimensions



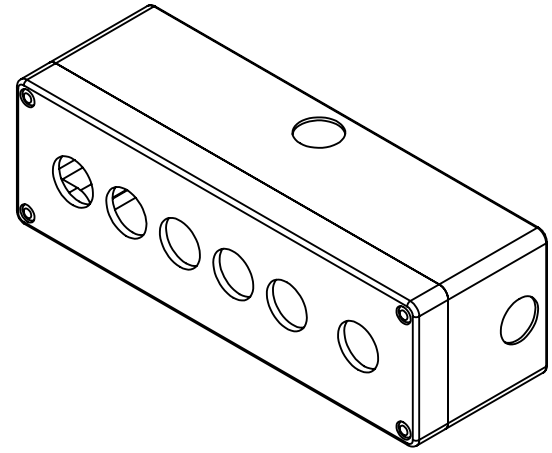
C

C



SECTION B-B


ISO VIEW
1:3



D

D

1 2 3

 CAMDENBOSS JAMES CARTER RD, MILDENHALL, SUFFOLK. IP28 7DE TEL: 01638 716101 FAX: 01638 716554 EMAIL: Sales@CamdenBoss.com WEB: www.CamdenBoss.com		UNLESS OTHERWISE SPECIFIED: DIMENSIONS ARE IN MILLIMETERS	DO NOT SCALE DRAWING	REVISION. <input type="checkbox"/>
		GENERAL TOLERANCES +/- 0.2	TITLE: GENERAL DIMENSION DRAWING FOR SIX BUTTON CONTROL STATION	
		FINISH. FINE TEXTURE	DWG NO. CCS11GY06	A4
DRAWN	LEWIS LETCHFORD	SIGNED	LL	DATE
CHK'D	-	SIGNED	-	DATE
		MATERIAL. ABS	SCALE: 1:4	SHEET 1 OF 1
		PROJECTION. 