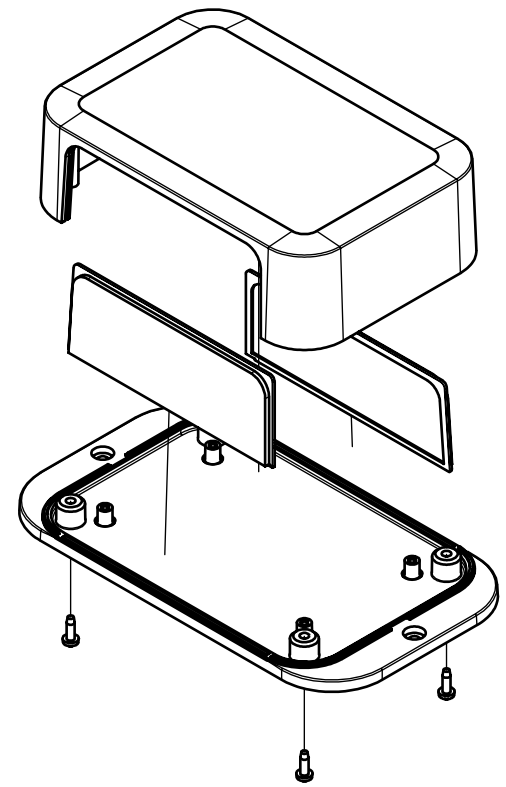



ISO VIEW
3:7



 CAMDENBOSS JAMES CARTER RD, MILDENHALL, SUFFOLK. IP28 7DE TEL: 01638 716101 FAX: 01638 716554 EMAIL: Sales@CamdenBoss.com WEB: www.CamdenBoss.com				UNLESS OTHERWISE SPECIFIED: DIMENSIONS ARE IN MILLIMETERS		GENERAL TOLERANCES +/- 0.2		REVISION. <input type="checkbox"/>	
				FINISH: LIGHT SPARK		TITLE: 94 SERIES Flanged Comms Box Size 07 White 85.3x149.3x40			
COLOUR: OFF-WHITE		MATERIAL: ABS UL94-VO		DWG NO. CDE9407WH		A4			
NAME	SIGNED	DATE	PROJECTION.	SCALE: 3:7	SHEET 1 OF 1	DO NOT SCALE DRAWING			
DRAWN S.WHITEHEAD	CHKD -	SW	15/06/17						