

1 2 3 4 5 6

A

A

B

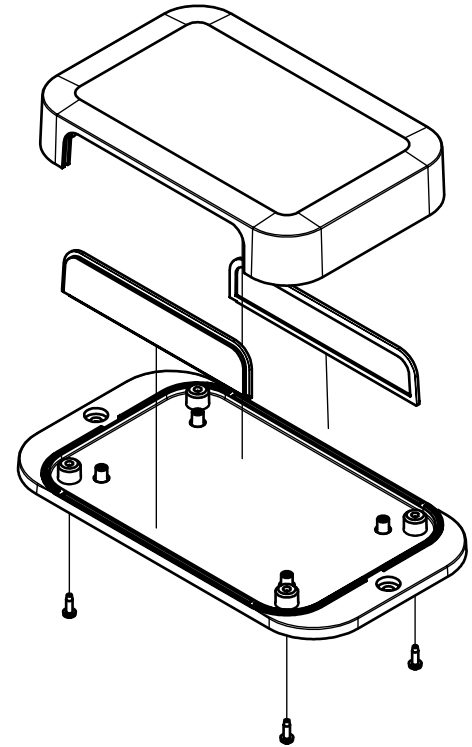
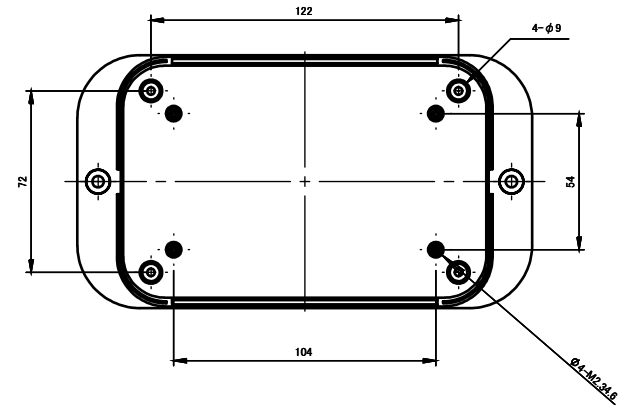
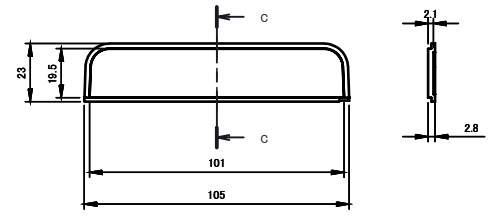
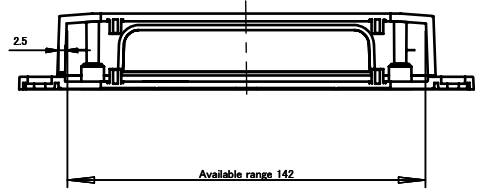
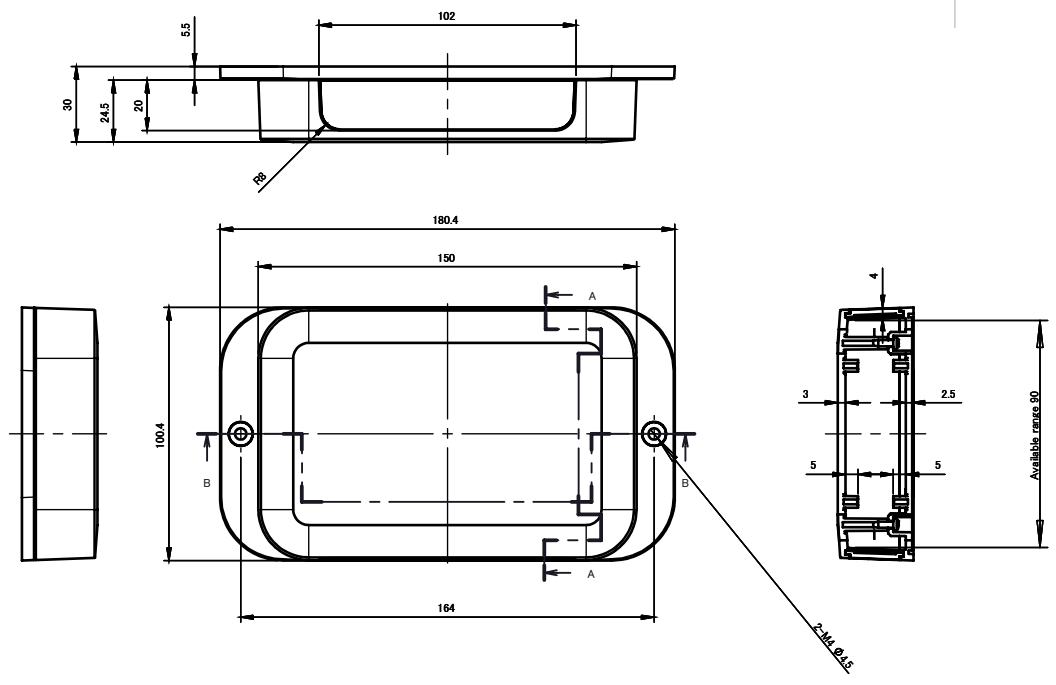
B



C

C

D

D



 CAMDENBOSS JAMES CARTER RD, MILDENHALL, SUFFOLK. IP28 7DE TEL: 01638 716101 FAX: 01638 716554 EMAIL: Sales@CamdenBoss.com WEB: www.CamdenBoss.com				UNLESS OTHERWISE SPECIFIED: DIMENSIONS ARE IN MILLIMETERS		GENERAL TOLERANCES +/- 0.2		REVISION. <input type="checkbox"/>	
				FINISH: LIGHT SPARK		TITLE: 94 SERIES Flanged Comms Box Size 09 White 100.4x180.4x30			
COLOUR: OFF-WHITE		MATERIAL: ABS UL94-VO		DWG NO. CDE9409WH		A4			
NAME	SIGNED	DATE	PROJECTION. 		SCALE: 3:9	SHEET 1 OF 1		DO NOT SCALE DRAWING	
DRAWN	CHK'D	S.W.	15/06/17						

1 2 3 4 5 6