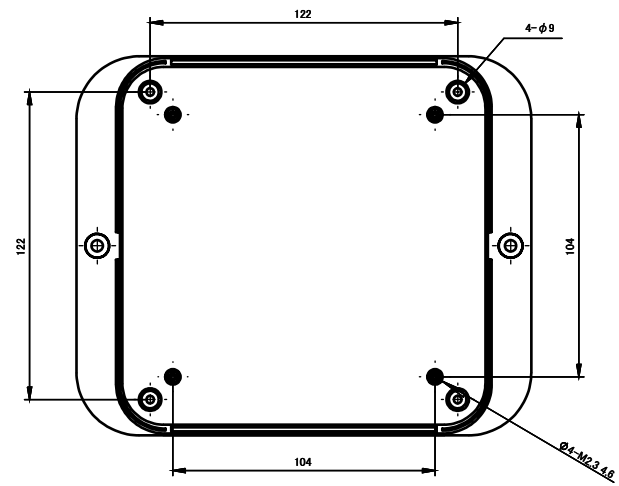
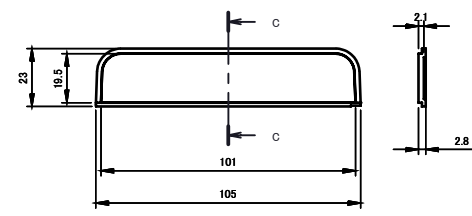
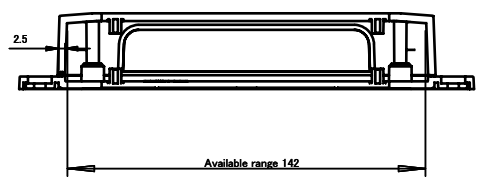
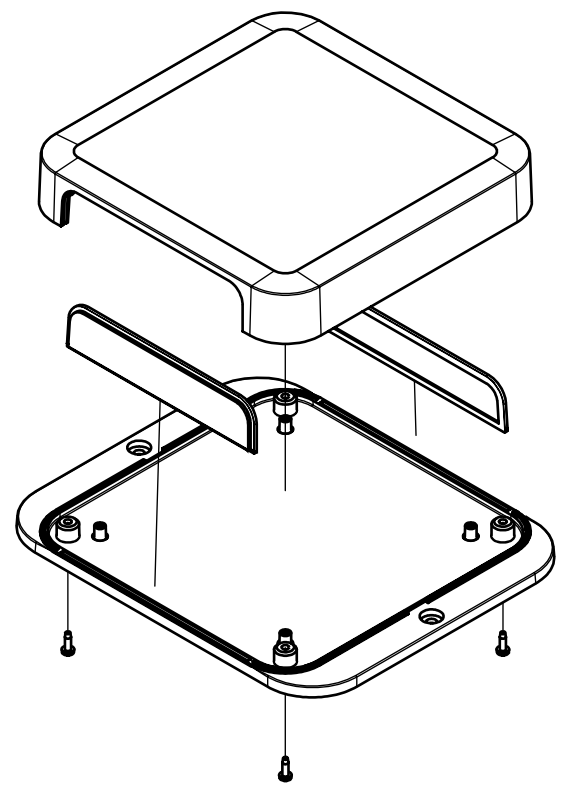




ISO VIEW
3:9



 CAMDENBOSS JAMES CARTER RD, MILDENHALL, SUFFOLK. IP28 7DE TEL: 01638 716101 FAX: 01638 716554 EMAIL: Sales@CamdenBoss.com WEB: www.CamdenBoss.com				UNLESS OTHERWISE SPECIFIED: DIMENSIONS ARE IN MILLIMETERS		GENERAL TOLERANCES +/- 0.2		REVISION. <input type="checkbox"/>		
				FINISH: LIGHT SPARK		TITLE: 94 SERIES Flanged Comms Box Size 10 White 150.4x180.4x30				
COLOUR: OFF-WHITE		MATERIAL: ABS UL94-VO		DWG NO. CDE9410WH		A4				
DRAWN	S.WHITEHEAD	SIGNED	SW	DATE	15/06/17	PROJECTION.		SCALE: 3:9	SHEET 1 OF 1	DO NOT SCALE DRAWING