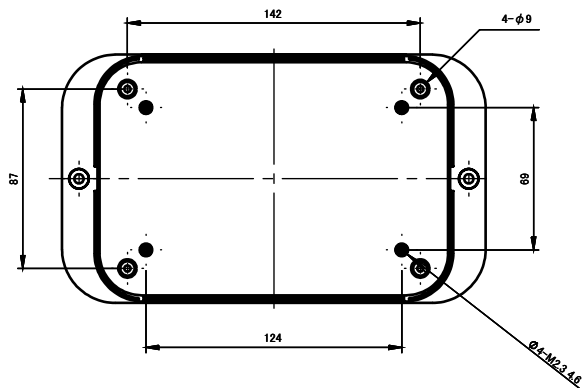
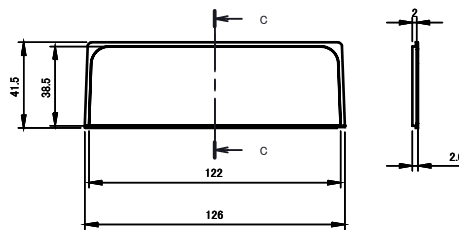
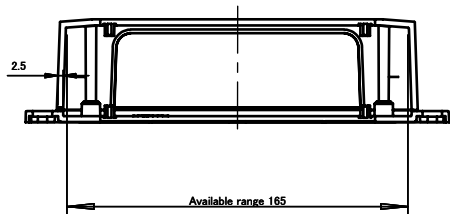
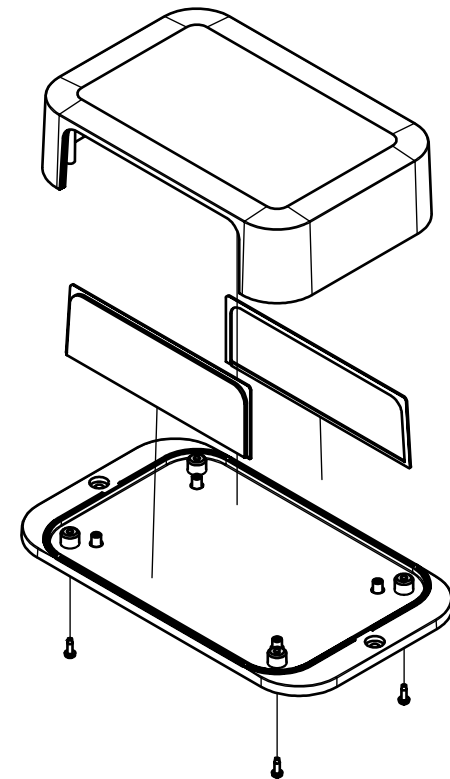




ISO VIEW
3:11



 CAMDENBOSS JAMES CARTER RD, MILDENHALL, SUFFOLK. IP28 7DE TEL: 01638 716101 FAX: 01638 716554 EMAIL: Sales@CamdenBoss.com WEB: www.CamdenBoss.com		UNLESS OTHERWISE SPECIFIED: DIMENSIONS ARE IN MILLIMETERS		GENERAL TOLERANCES +/- 0.2		REVISION. <input type="checkbox"/>	
		FINISH: LIGHT SPARK		TITLE: 94 SERIES Flanged Comms Box Size 15 White 120.4x205.4x50			
		COLOUR: OFF-WHITE		MATERIAL: ABS UL94-VO		DWG NO. CDE9415WH	
DRAWN S.WHITEHEAD		SIGNED SW		DATE 15/06/17		SCALE: 3:11	
CHK'D -		-		-		SHEET 1 OF 1	
		PROJECTION.				DO NOT SCALE DRAWING	

1

2

3

A4