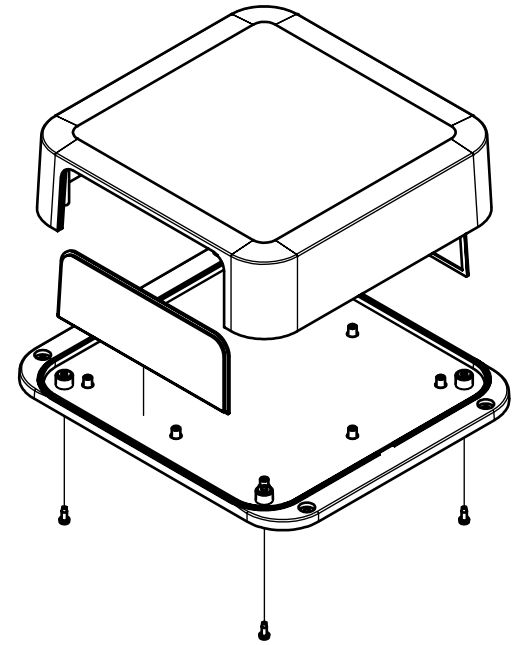



ISO VIEW  
3:13



 <b>CAMDENBOSS</b> JAMES CARTER RD, MILDENHALL, SUFFOLK. IP28 7DE TEL: 01638 716101 FAX: 01638 716554 EMAIL: Sales@CamdenBoss.com WEB: www.CamdenBoss.com				UNLESS OTHERWISE SPECIFIED: DIMENSIONS ARE IN MILLIMETERS		GENERAL TOLERANCES +/- 0.2		REVISION. <input type="checkbox"/>	
				FINISH. LIGHT SPARK		TITLE: <b>94 SERIES Flanged Comms Box Size 20 White 200.5x230.5x60</b>			
COLOUR. OFF-WHITE		MATERIAL. ABS UL94-VO		DWG NO. <b>CDE9420WH</b>		A4			
NAME	SIGNED	DATE	PROJECTION.	SCALE: 3:13	SHEET 1 OF 1	DO NOT SCALE DRAWING			
DRAWN S.WHITEHEAD	CHKD -	SW	15/06/17						