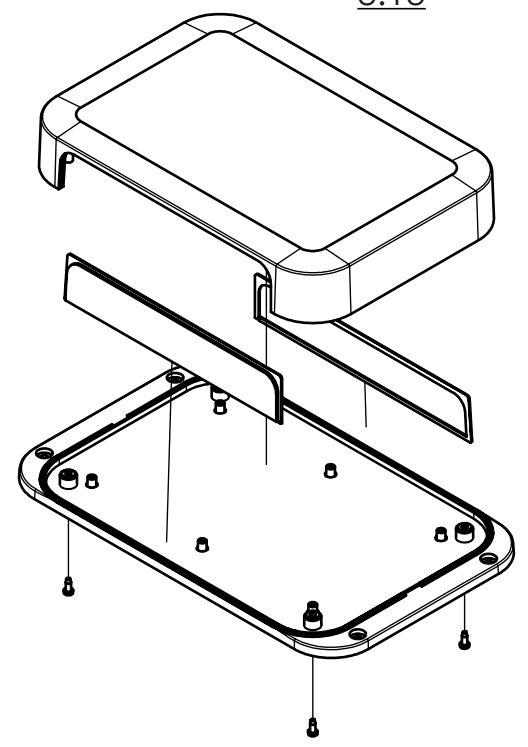



ISO VIEW  
3:13



|   |            |                          |             |  |              |  |  |                                    |  |
|---|------------|--------------------------|-------------|--|--------------|--|--|------------------------------------|--|
| <br><b>CAMDENBOSS</b><br>JAMES CARTER RD, MILDENHALL, SUFFOLK. IP28 7DE<br>TEL: 01638 716101 FAX: 01638 716554<br>EMAIL: Sales@CamdenBoss.com<br>WEB: www.CamdenBoss.com |            |                          |             | UNLESS OTHERWISE SPECIFIED:<br>DIMENSIONS ARE IN MILLIMETERS |              | GENERAL TOLERANCES +/- 0.2   |  | REVISION. <input type="checkbox"/> |  |
|   |            |                          |             | FINISH.<br>LIGHT SPARK                                       |              | TITLE: 94 SERIES Flanged Comms Box<br>Size 21 White 165.5x270.5x42.5 |  |                                    |  |
| COLOUR.<br>OFF-WHITE  |            | MATERIAL.<br>ABS UL94-VO |             | DWG NO.<br><b>CDE9421WH</b>                                  |              | A4   |  |                                    |  |
| NAME  | SIGNED     | DATE                     | PROJECTION. | SCALE: 3:13  | SHEET 1 OF 1 | DO NOT SCALE DRAWING   |  |                                    |  |
| DRAWN<br>S.WHITEHEAD  | CHK'D<br>- | SW                       | 15/06/17    |  |              |  |  |                                    |  |