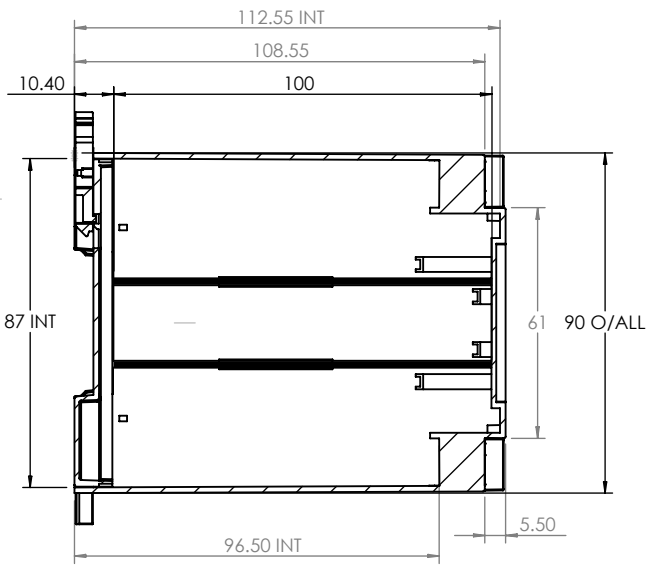
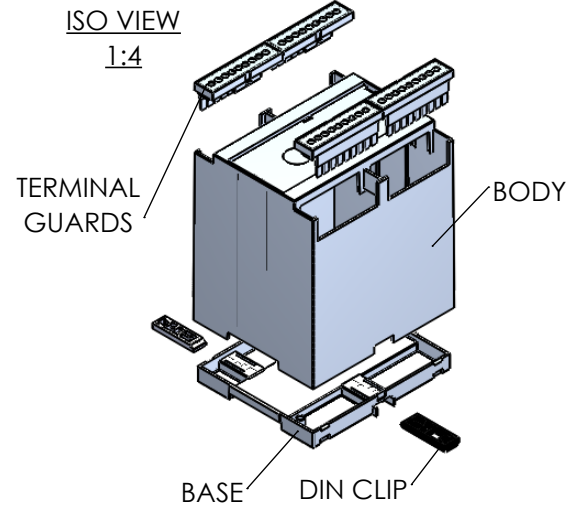
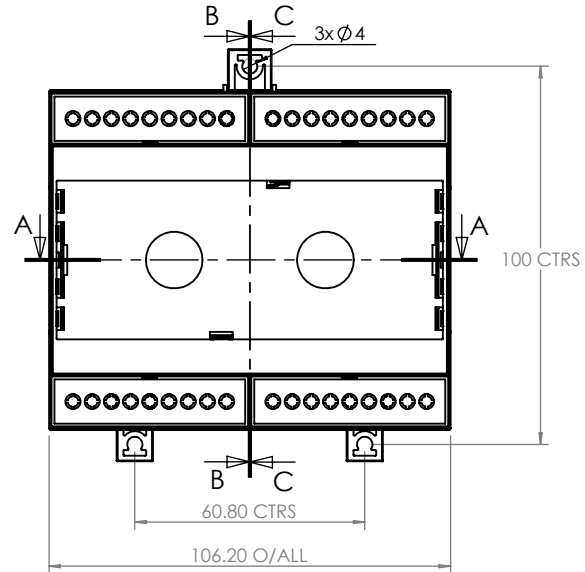


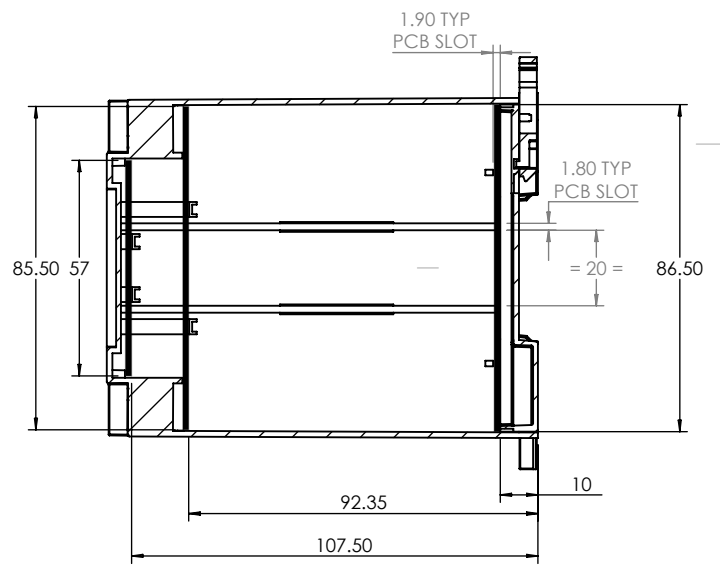
SECTION A-A





SECTION B-B



DIN CLIPS ARE SHOWN IN WALL MOUNTING POSITION



SECTION C-C

 CAMDENBOSS JAMES CARTER RD, MILDENHALL, SUFFOLK. IP28 7DE TEL: 01638 716101 FAX: 01638 716554 EMAIL: Sales@CamdenBoss.com WEB: www.CamdenBoss.com				UNLESS OTHERWISE SPECIFIED: DIMENSIONS ARE IN MILLIMETERS		DO NOT SCALE DRAWING		REVISION. ○	
				GENERAL TOLERANCES +/- 0.2		TITLE: GENERAL ASSEMBLY DRAWING FOR CDIB SERIES			
				FINISH. FINE TEXTURE		DWG NO. CDIB-6ST-D2-KIT			
				MATERIAL. UL94-V0 PC RAL: 7035		SCALE. 1:2		SHEET 1 OF 1	
DRAWN. MATTHEW WALLACE		SIGNED. MJW		DATE. 28/04/15		PROJECTION. 		A4	
CHKD. IAN PAGANO		IP		DATE. 29/04/15					