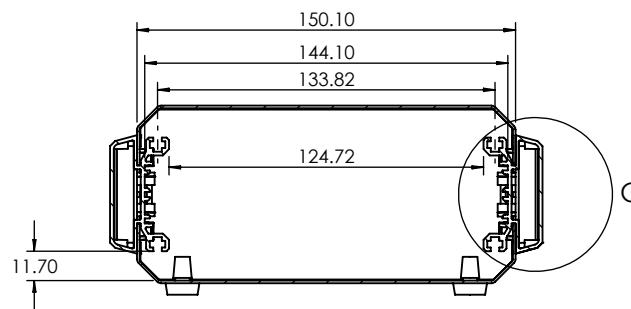
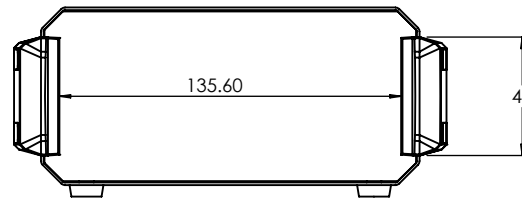


SECTION B-B

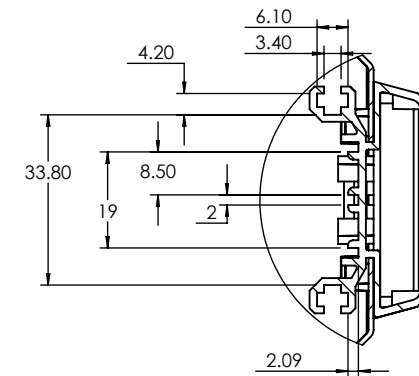
OVERALL ASSEMBLY DIMENSIONS:

EXTERNAL - 221.5 x 205 x 70.4

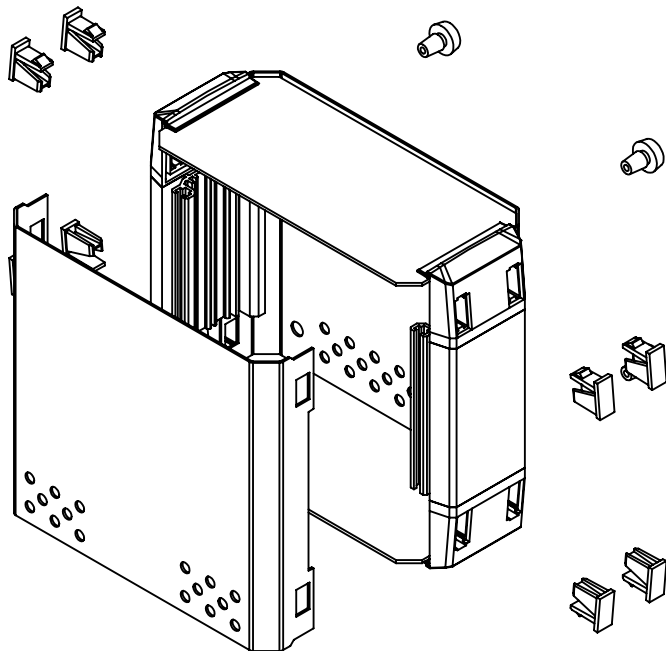
INTERNAL - 198 x 193 x 68.4





SECTION A-A



DETAIL C
SCALE 2 : 3



 CAMDENBOSS JAMES CARTER RD, MILDENHALL, SUFFOLK. IP28 7DE TEL: 01638 716101 FAX: 01638 716554 EMAIL: Sales@CamdenBoss.com WEB: www.CamdenBoss.com		UNLESS OTHERWISE SPECIFIED: DIMENSIONS ARE IN MILLIMETERS	DO NOT SCALE DRAWING	REVISION. 0
		GENERAL TOLERANCES +/- 0.2	TITLE: GNL ASSEMBLY DRG FOR CDIC00001 INSTRUMENT CASE	
		FINISH: ---	DWG NO.	CDIC00001
DRAWN	NAME IAN PAGANO	SIGNED I.P.	DATE 18/02/13	MATERIAL. VAR
CHKD	-	-	-	PROJECTION. 
			SCALE: 1 : 2	SHEET 1 OF 1

A4