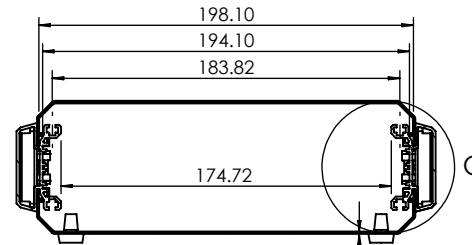
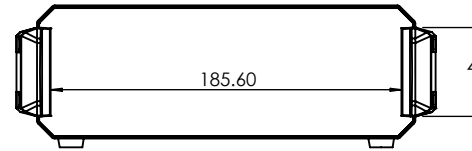


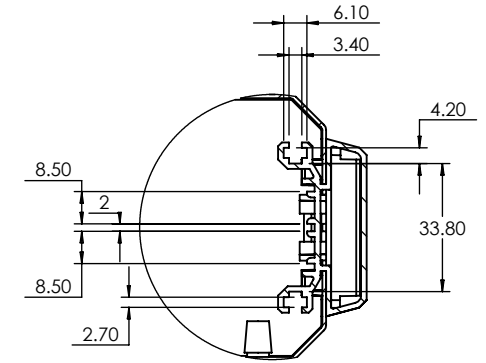
SECTION A-A  
SCALE 1 : 4

OVERALL ASSEMBLY DIMENTIONS:  
EXTERNAL - 221.5 x 205 x 70.4  
INTERNAL - 198 x 193 x 68.4

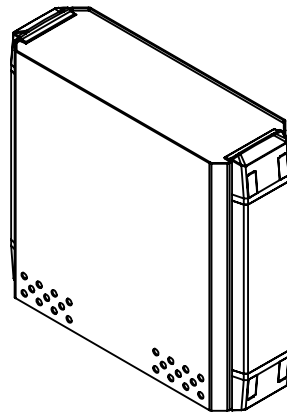




SECTION B-B  
SCALE 1 : 4

1 mm  
SHEET THICKNESS



DETAIL C  
SCALE 1 : 2



 <b>CAMDENBOSS</b> JAMES CARTER RD, MILDENHALL, SUFFOLK. IP28 7DE TEL: 01638 716101 FAX: 01638 716554 EMAIL: Sales@CamdenBoss.com WEB: www.CamdenBoss.com				UNLESS OTHERWISE SPECIFIED: DIMENSIONS ARE IN MILLIMETERS	DO NOT SCALE DRAWING	REVISION. <input type="checkbox"/>
				GENERAL TOLERANCES +/- 0.2	TITLE: <b>GNL ASSEMBLY DRG FOR CDIC00002 INSTRUMENTS CASE</b>	
	NAME	SIGNED	DATE	FINISH. ---	MATERIAL. <b>VAR</b>	DWG NO. <b>CDIC00002</b>
DRAWN	IAN PAGANO	I.P.	18/02/13			<b>A4</b>
CHK'D	-	-	-	PROJECTION. 	SCALE: 1 : 2	SHEET 1 OF 1