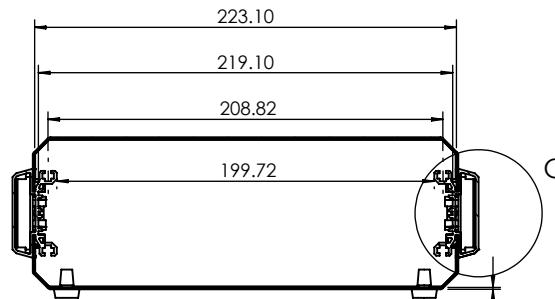
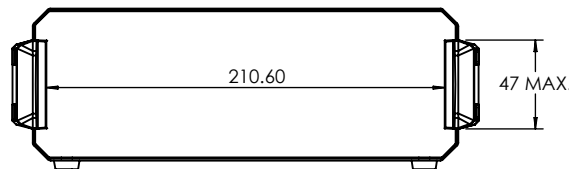


SECTION B-B  
SCALE 1 : 4

OVERALL ASSEMBLY DIMENSION:

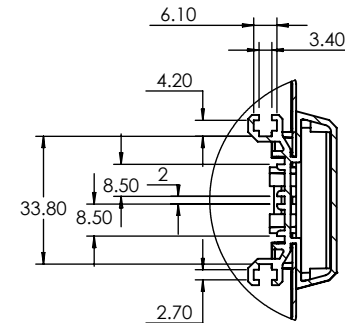
EXTERNAL - 246.6 x 175 x 80.4

INTERNAL - 222.4 x 163 x 78.4

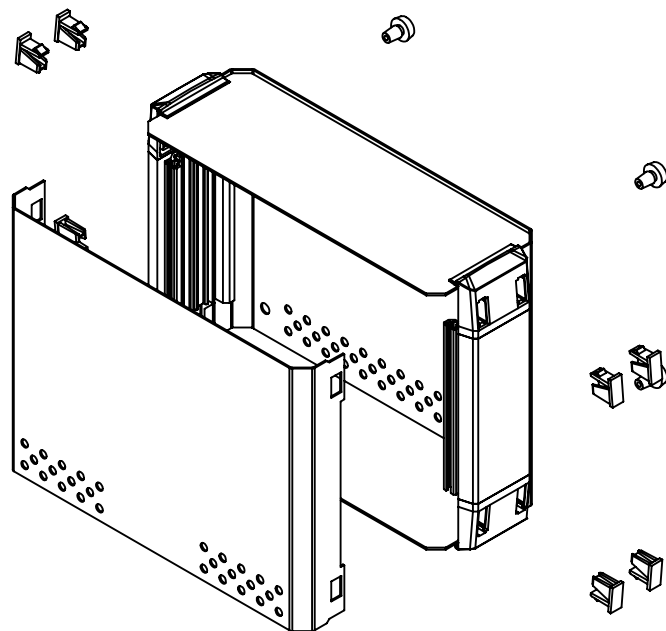




SECTION A-A  
SCALE 1 : 4

1  
SHEET THICKNESS



DETAIL C  
SCALE 1 : 2



 <b>CAMDENBOSS</b> JAMES CARTER RD, MILDENHALL, SUFFOLK. IP28 7DE TEL: 01638 716101 FAX: 01638 716554 EMAIL: Sales@CamdenBoss.com WEB: www.CamdenBoss.com				UNLESS OTHERWISE SPECIFIED: DIMENSIONS ARE IN MILLIMETERS	DO NOT SCALE DRAWING	REVISION. <input type="checkbox"/>
				GENERAL TOLERANCES +/- 0.2	TITLE: <b>GNL ASSEMBLY DRG FOR CDIC00003 INSTRUMENT CASE</b>	
	NAME	SIGNED	DATE	MATERIAL.	DWG NO.	<b>CDIC00003</b>
DRAWN	IAN PAGANO	I.P.	18/02/13	<b>VAR</b>		
CHKD	-	-	-	PROJECTION. 	SCALE: 1 : 4	SHEET 1 OF 1