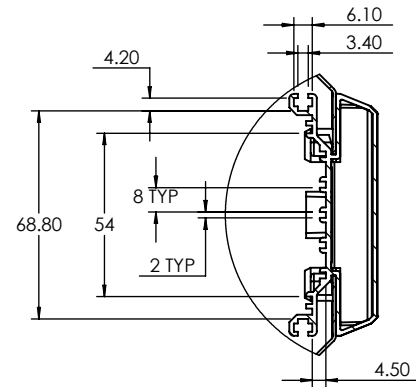
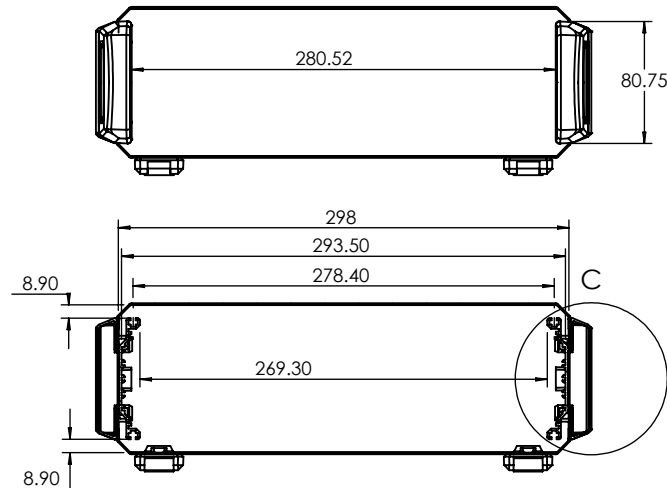


SECTION B-B

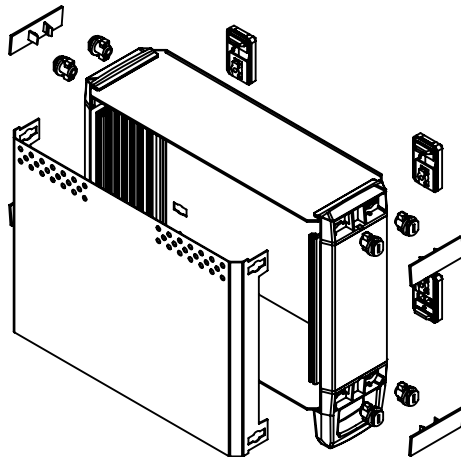



DETAIL C
SCALE 2 : 5

OVERALL ASSEMBLY DIMENSIONS:
EXTERNAL - 327.5 x 270.8 x 99.8
INTERNAL - 298 x 211 x 97.8



SECTION A-A



 CAMDENBOSS JAMES CARTER RD, MILDENHALL, SUFFOLK. IP28 7DE TEL: 01638 716101 FAX: 01638 716554 EMAIL: Sales@CamdenBoss.com WEB: www.CamdenBoss.com				UNLESS OTHERWISE SPECIFIED: DIMENSIONS ARE IN MILLIMETERS	DO NOT SCALE DRAWING	REVISION. ○
				GENERAL TOLERANCES +/- 0.2	TITLE: GNL ASSEMBLY DRG FOR 110 SERIES - INSTRUMENTS CASE	
DRAWN	NAME	SIGNED	DATE	MATERIAL.	DWG NO.	CDIC00005 A4
CHKD	IAN PAGANO	I.P.	18/02/13	VAR	SCALE: 1 : 2	
				PROJECTION.	SHEET 1 OF 1	