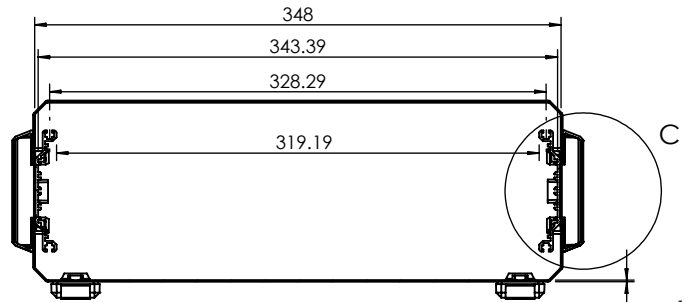
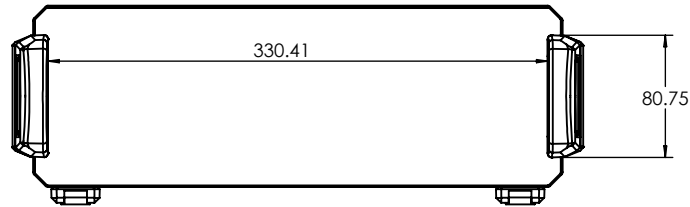


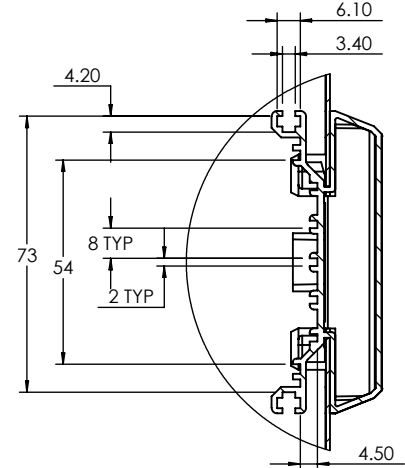
SECTION A-A
SCALE 1 : 5

OVERALL ASSEMBLY DIMENTIONS:
EXTERNAL - 377.5 x 311 x 119.85
INTERNAL - 348 x 251 x 117.8

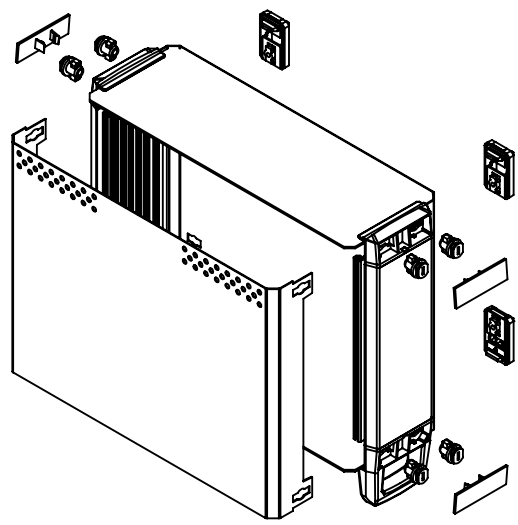


SECTION B-B
SCALE 1 : 5



1 mm
SHEET THICKNESS



DETAIL C
SCALE 1 : 2



ISO VIEW
1:7

 CAMDENBOSS JAMES CARTER RD, MILDENHALL, SUFFOLK. IP28 7DE TEL: 01638 716101 FAX: 01638 716554 EMAIL: Sales@CamdenBoss.com WEB: www.CamdenBoss.com				UNLESS OTHERWISE SPECIFIED: DIMENSIONS ARE IN MILLIMETERS	DO NOT SCALE DRAWING	REVISION. <input type="checkbox"/>
				GENERAL TOLERANCES +/- 0.2	TITLE: GNL ASSEMBLY DRG FOR 110 SERIES - INSTRUMENT CASE	
DRAWN	NAME	SIGNED	DATE	MATERIAL.	DWG NO.	CDIC00006 A4
CHKD	IAN PAGANO	I.P.	18/02/13	VAR	SCALE: 1 : 2	
FINISH. ---				PROJECTION. 	SHEET 1 OF 1	