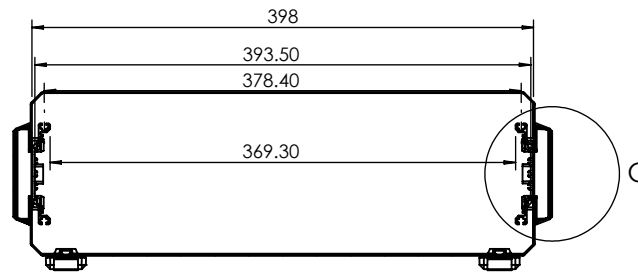
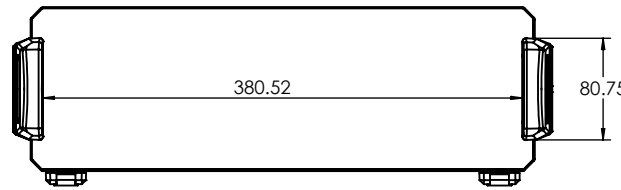


SECTION A-A
SCALE 1 : 5

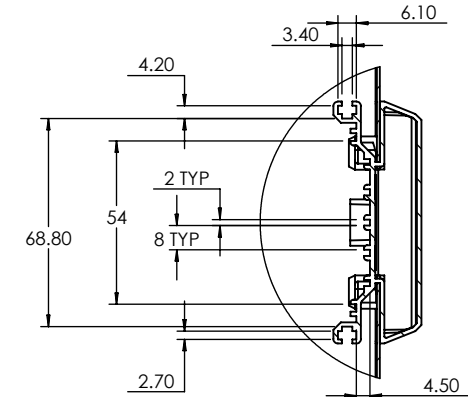
OVERALL ASSEMBLY DIMENSIONS:

EXTERNAL - 427.5 x 351 x 130

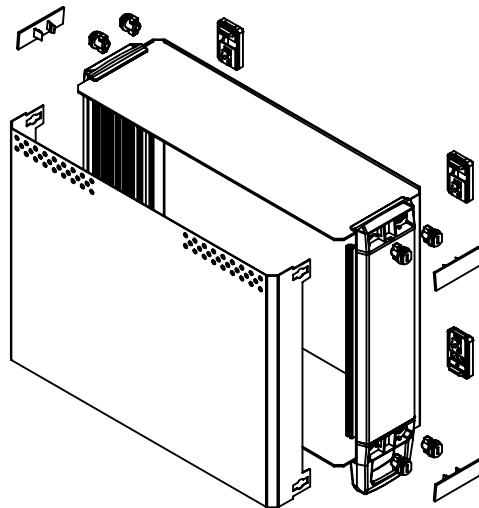
INTERNAL - 398 x 291 x 128




SECTION B-B
SCALE 1 : 6



DETAIL C
SCALE 2 : 5



 CAMDENBOSS JAMES CARTER RD, MILDENHALL, SUFFOLK. IP28 7DE TEL: 01638 716101 FAX: 01638 716554 EMAIL: Sales@CamdenBoss.com WEB: www.CamdenBoss.com		UNLESS OTHERWISE SPECIFIED: DIMENSIONS ARE IN MILLIMETERS	DO NOT SCALE DRAWING	REVISION. <input type="checkbox"/>		
		GENERAL TOLERANCES +/- 0.2	TITLE: GNL ASSEMBLY DRG FOR 110 SERIES - INSTRUMENT CASE			
DRAWN	NAME	SIGNED	DATE	MATERIAL.	DWG NO.	CDIC00007 A4
CHK'D	IAN PAGANO	I.P.	21/02/13	VAR	SCALE: 1 : 2	
				FINISH.	SHEET 1 OF 1	
				PROJECTION.	