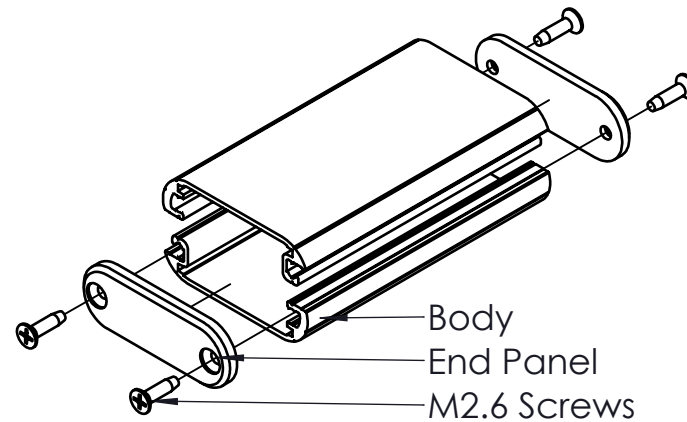
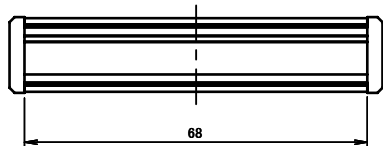
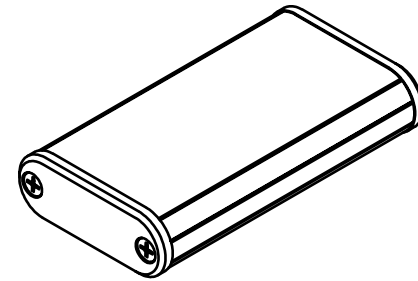




ISO VIEW  
2:3



 <b>CAMDENBOSS</b> JAMES CARTER RD, MILDENHALL, SUFFOLK. IP28 7DE TEL: 01638 716101 FAX: 01638 716554 EMAIL: Sales@CamdenBoss.com WEB: www.CamdenBoss.com		UNLESS OTHERWISE SPECIFIED: DIMENSIONS ARE IN MILLIMETERS	DO NOT SCALE DRAWING	REVISION. ○
		GENERAL TOLERANCES +/- 0.2	TITLE: 85 SERIES ROUND ALUMINIUM ENCLOSURES, SIZE 5, BLACK 74x41x15	
DRAWN LEWIS LETCHFORD		FINISH. BLACK	DWG NO. CDM8505BK	
NAME	SIGNED	DATE	MATERIAL. ALUMINIUM	A4
CHK'D -	-	-	PROJECTION. 	SHEET 1 OF 1