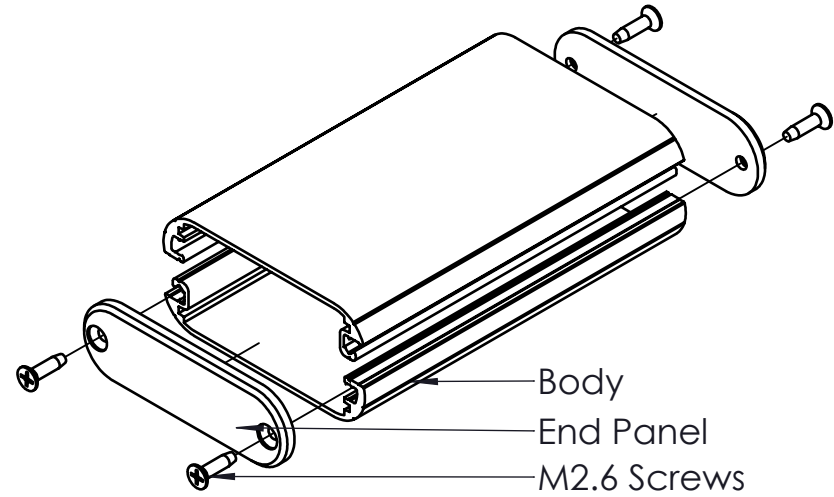
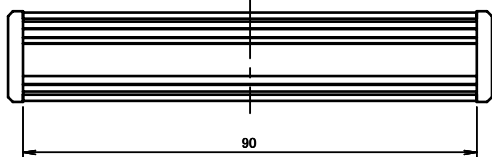
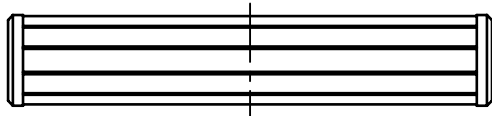
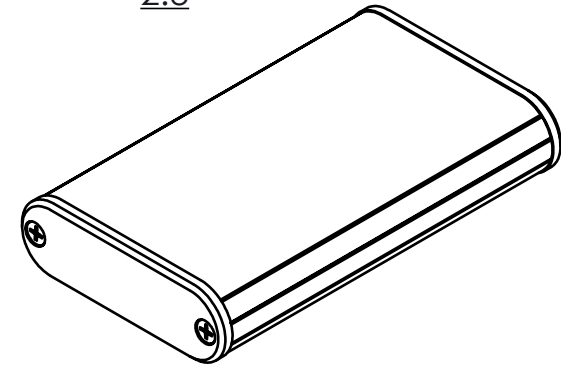



ISO VIEW
2:3



 CAMDENBOSS JAMES CARTER RD, MILDENHALL, SUFFOLK. IP28 7DE TEL: 01638 716101 FAX: 01638 716554 EMAIL: Sales@CamdenBoss.com WEB: www.CamdenBoss.com				UNLESS OTHERWISE SPECIFIED: DIMENSIONS ARE IN MILLIMETERS		DO NOT SCALE DRAWING		REVISION. ○			
				GENERAL TOLERANCES +/- 0.2		TITLE: 85 SERIES ROUND ALUMINIUM ENCLOSURES, SIZE 9, SILVER 96x57x18					
DRAWN		NAME		SIGNED		DATE		MATERIAL.		DWG NO.	
LEWIS LETCHFORD		L.L.		30/01/2014		ALUMINIUM		CDM8509SL		A4	
CHK'D		-		-		-		PROJECTION.		SCALE: 2:3	
								SHEET 1 OF 1			