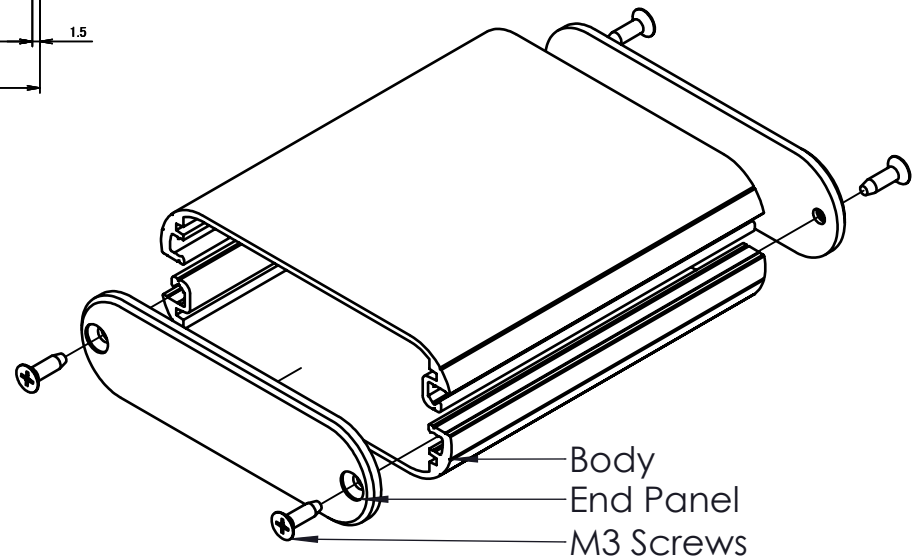
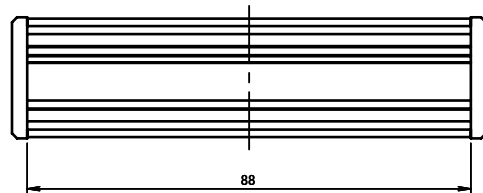
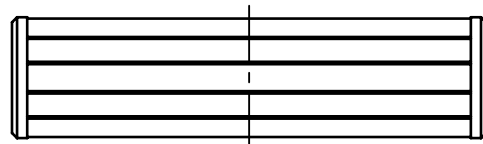
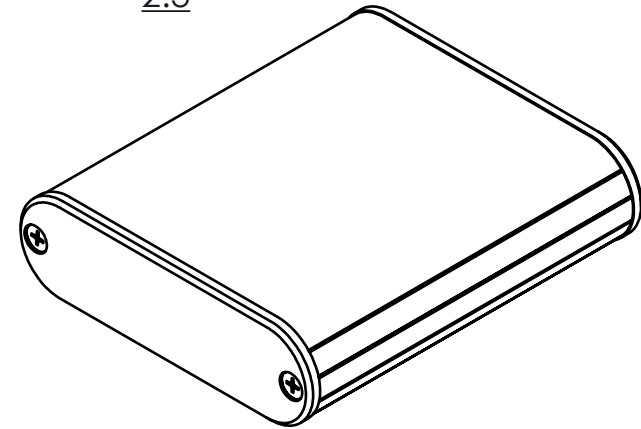




ISO VIEW  
2:3



 <b>CAMDENBOSS</b> JAMES CARTER RD, MILDENHALL, SUFFOLK. IP28 7DE TEL: 01638 716101 FAX: 01638 716554 EMAIL: Sales@CamdenBoss.com WEB: www.CamdenBoss.com		UNLESS OTHERWISE SPECIFIED: DIMENSIONS ARE IN MILLIMETERS	DO NOT SCALE DRAWING	REVISION. ○
		GENERAL TOLERANCES +/- 0.2	TITLE: <b>85 SERIES ROUND ALUMINIUM ENCLOSURES, SIZE 14, BLACK 94x82x24</b>	
DRAWN		FINISH. <b>BLACK</b>	DWG NO. <b>CDM8514BK</b>	
NAME	SIGNED	DATE	MATERIAL. <b>ALUMINIUM</b>	SCALE. 2:3
LEWIS LETCHFORD	L.L.	30/01/2014	PROJECTION. 	SHEET 1 OF 1
CHKD	-	-		A4