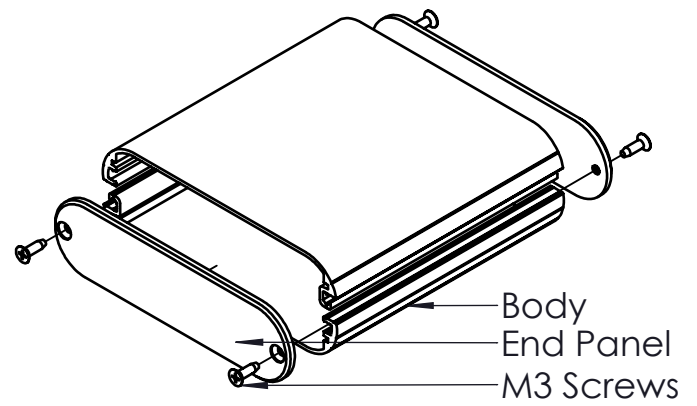
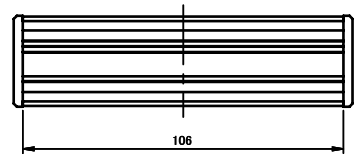
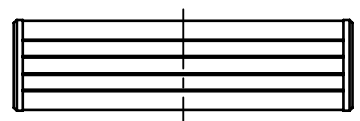
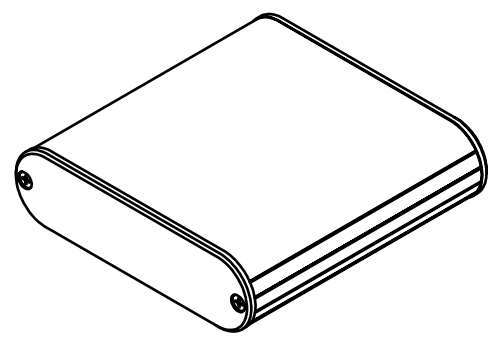




ISO VIEW
2:5



 CAMDENBOSS JAMES CARTER RD, MILDENHALL, SUFFOLK. IP28 7DE TEL: 01638 716101 FAX: 01638 716554 EMAIL: Sales@CamdenBoss.com WEB: www.CamdenBoss.com		UNLESS OTHERWISE SPECIFIED: DIMENSIONS ARE IN MILLIMETERS	DO NOT SCALE DRAWING	REVISION. ○		
		GENERAL TOLERANCES +/- 0.2	TITLE: 85 SERIES ROUND ALUMINIUM ENCLOSURES, SIZE 20, BLACK 112x110x30			
DRAWN	NAME	SIGNED	DATE	MATERIAL. ALUMINIUM	DWG NO. CDM8520BK	A4
CHK'D	-	-	-	PROJECTION. 	SCALE: 2:5	SHEET 1 OF 1