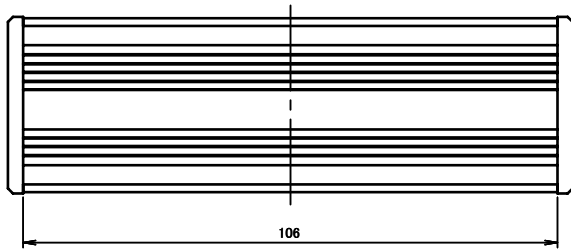
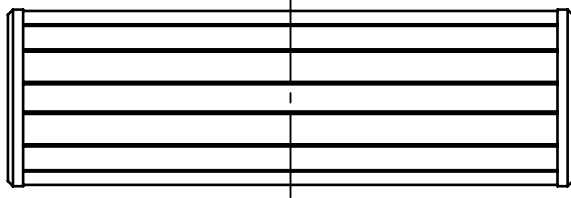
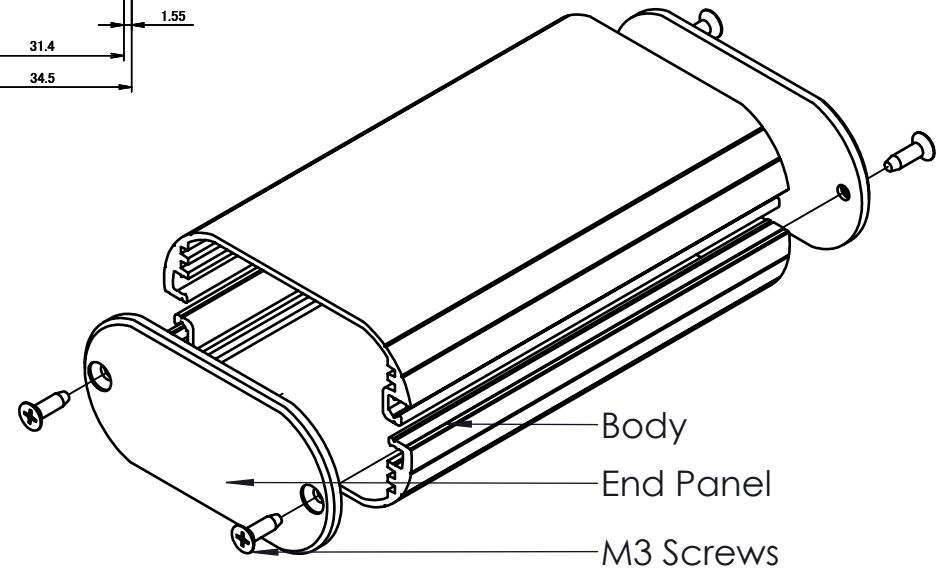
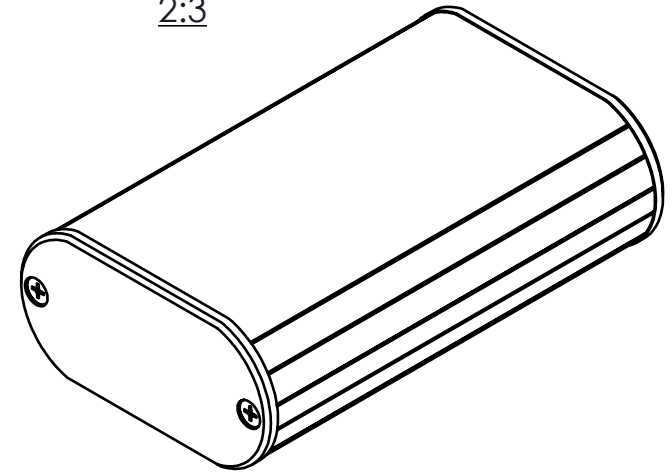
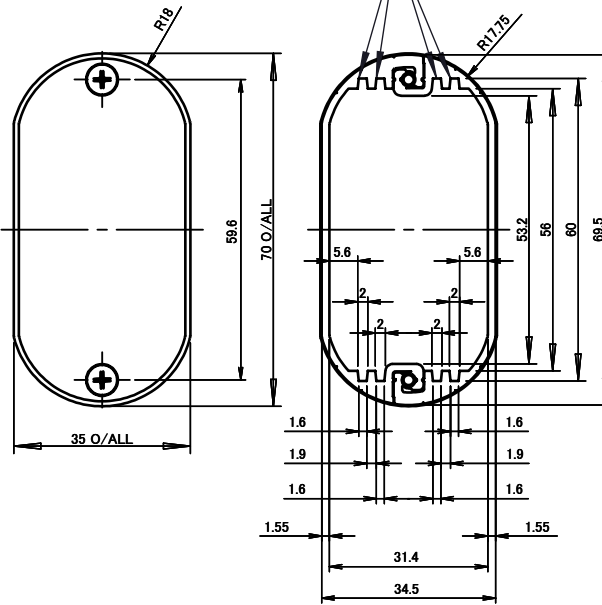




PCB Grooves

ISO VIEW
2:3



 CAMDENBOSS JAMES CARTER RD, MILDENHALL, SUFFOLK. IP28 7DE TEL: 01638 716101 FAX: 01638 716554 EMAIL: Sales@CamdenBoss.com WEB: www.CamdenBoss.com		UNLESS OTHERWISE SPECIFIED: DIMENSIONS ARE IN MILLIMETERS	DO NOT SCALE DRAWING	REVISION. ○
		GENERAL TOLERANCES +/- 0.2	TITLE: 85 SERIES ROUND ALUMINIUM ENCLOSURES, SIZE 24, BLACK 112x70x35	
DRAWN		FINISH. BLACK	DWG NO. CDM8524BK	
NAME	SIGNED	DATE	MATERIAL. ALUMINIUM	SCALE. 2:3
LEWIS LETCHFORD	LL	30/01/2014	PROJECTION. 	SHEET 1 OF 1
CHK'D	-	-		A4