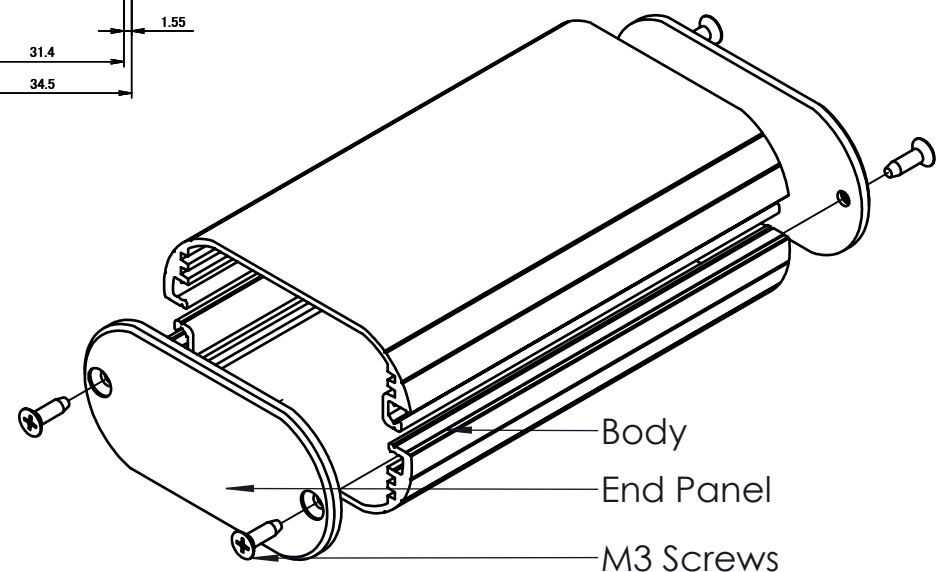
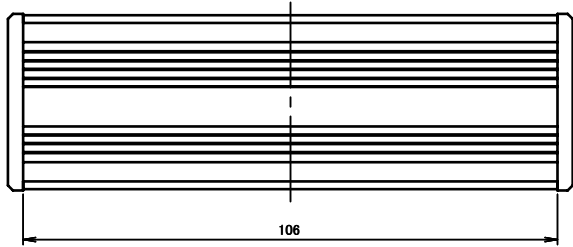
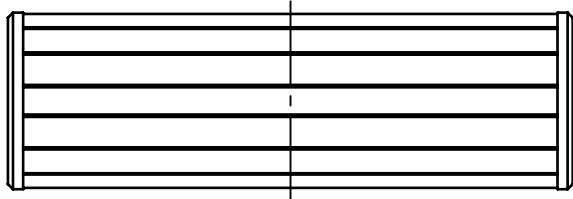
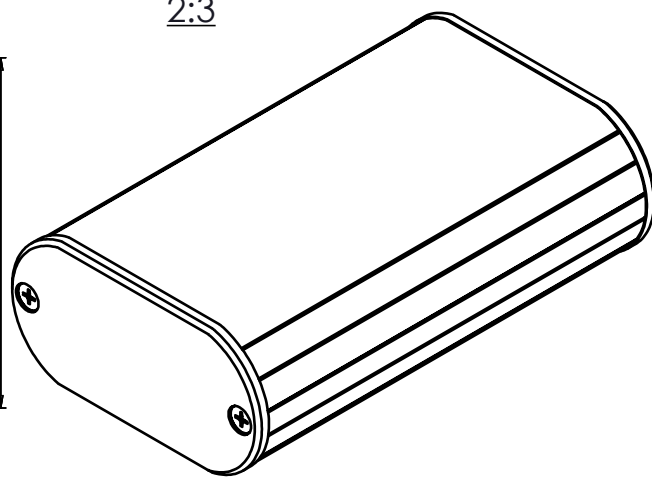


ISO VIEW
2:3



 CAMDENBOSS JAMES CARTER RD, MILDENHALL, SUFFOLK. IP28 7DE TEL: 01638 716101 FAX: 01638 716554 EMAIL: Sales@CamdenBoss.com WEB: www.CamdenBoss.com		UNLESS OTHERWISE SPECIFIED: DIMENSIONS ARE IN MILLIMETERS	DO NOT SCALE DRAWING	REVISION. ○				
		GENERAL TOLERANCES +/- 0.2	TITLE: 85 SERIES ROUND ALUMINIUM ENCLOSURES, SIZE 24, SILVER 112x70x35					
DRAWN		NAME	SIGNED	DATE	MATERIAL.	DWG NO.	CDM8524SL	A4
LEWIS LETCHFORD	LL	30/01/2014	ALUMINIUM					
CHKD	-	-	-	PROJECTION.	SCALE. 2:3	SHEET 1 OF 1		