

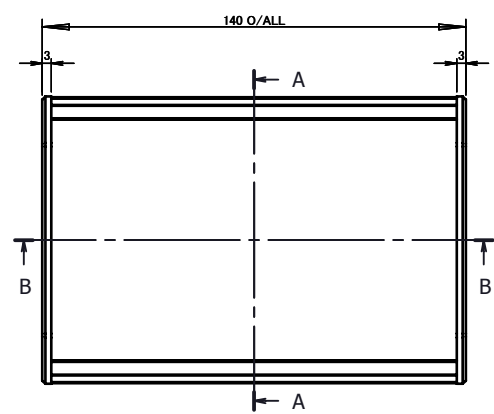
1 2 3 4 5 6

A

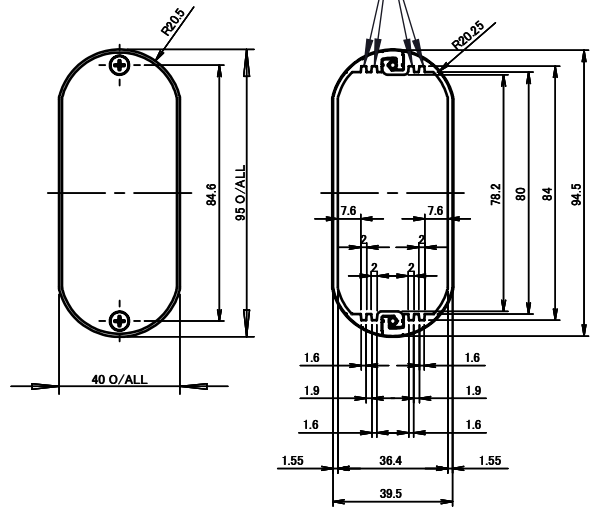
B

C

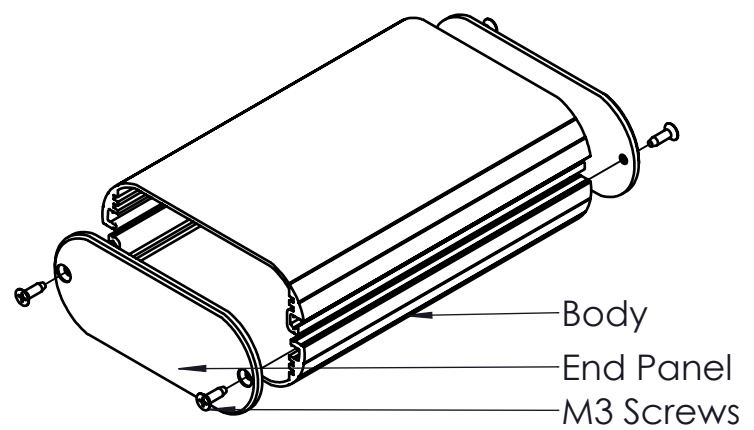
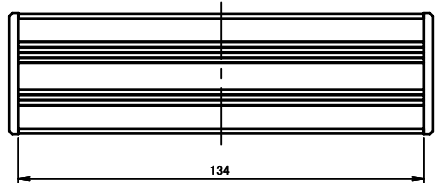
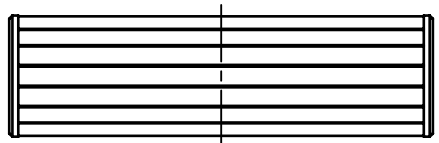
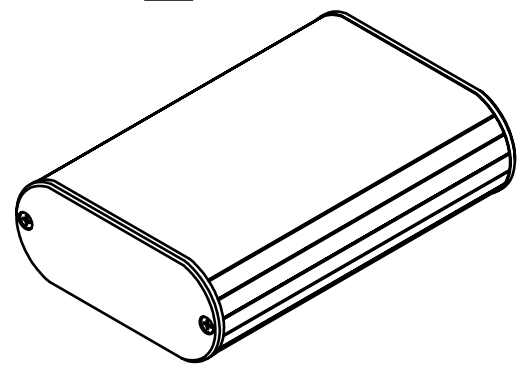
D





PCB Grooves



ISO VIEW  
2:5



 <b>CAMDENBOSS</b> JAMES CARTER RD, MILDENHALL, SUFFOLK. IP28 7DE TEL: 01638 716101 FAX: 01638 716554 EMAIL: Sales@CamdenBoss.com WEB: www.CamdenBoss.com			UNLESS OTHERWISE SPECIFIED: DIMENSIONS ARE IN MILLIMETERS		DO NOT SCALE DRAWING		REVISION. ○	
			GENERAL TOLERANCES +/- 0.2		TITLE: <b>85 SERIES ROUND ALUMINIUM ENCLOSURES, SIZE 27, BLACK 140x95x40</b>			
			FINISH. BLACK		DWG NO. <b>CDM8527BK</b>			
			MATERIAL. ALUMINIUM		SCALE. 2:5		SHEET 1 OF 1	
DRAWN	LEWIS LETCHFORD	LL	30/01/2014	PROJECTION.			A4	
CHK'D	-	-	-					

1 2 3