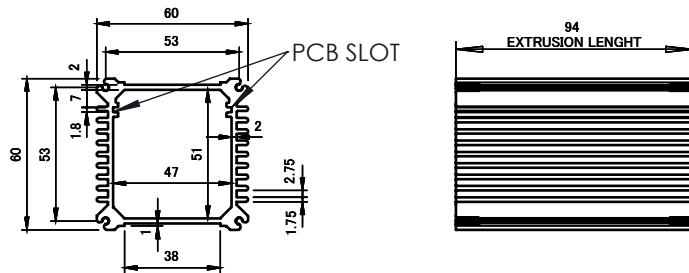
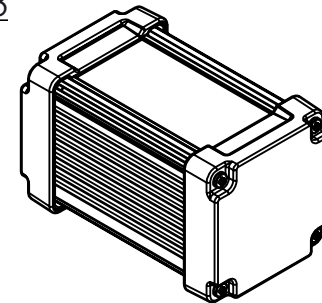




ISO VIEW
1:3



 CAMDENBOSS JAMES CARTER RD, MILDENHALL, SUFFOLK. IP28 7DE TEL: 01638 716101 FAX: 01638 716554 EMAIL: Sales@CamdenBoss.com WEB: www.CamdenBoss.com				UNLESS OTHERWISE SPECIFIED: DIMENSIONS ARE IN MILLIMETERS	DO NOT SCALE DRAWING	REVISION. <input type="radio"/>
				GENERAL TOLERANCES +/- 0.2	TITLE: 88 SERIES IP67 HEAT SINK CASES, SIZE 2, SILVER, 110x65.8x65.8	
	NAME	SIGNED	DATE	FINISH. SILVER ANODIZED POWDER COATED END CAPS	MATERIAL.	DWG NO.
DRAWN	LEWIS LETCHFORD	L.L.	31/01/2014	ALUMINIUM		CDM8802SL
CHKD	IAN PAGANO	I.P.	27/02/14	PROJECTION. 	SCALE: 1:3	SHEET 1 OF 1

A4