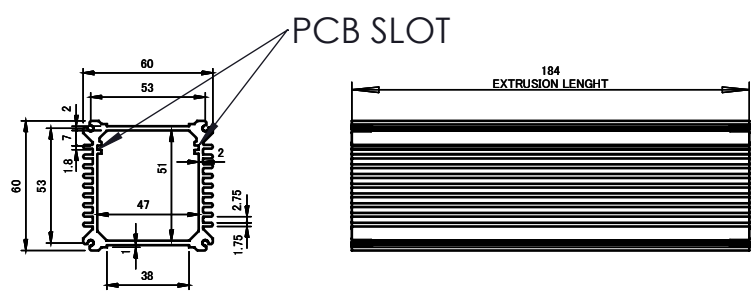
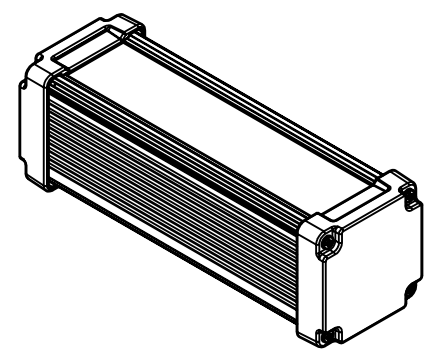




ISO VIEW
2:7



 CAMDENBOSS JAMES CARTER RD, MILDENHALL, SUFFOLK. IP28 7DE TEL: 01638 716101 FAX: 01638 716554 EMAIL: Sales@CamdenBoss.com WEB: www.CamdenBoss.com				UNLESS OTHERWISE SPECIFIED: DIMENSIONS ARE IN MILLIMETERS	DO NOT SCALE DRAWING	REVISION. <input type="radio"/>
				GENERAL TOLERANCES +/- 0.2	TITLE: 88 SERIES IP67 HEAT SINK CASES, SIZE 4, SILVER, 200x65.8x65.8	
	NAME	SIGNED	DATE	MATERIAL. ALUMINIUM	DWG NO.	CDM8804SL
DRAWN	LEWIS LETCHFORD	L.L.	31/01/2014			
CHK'D	IAN PAGANO	I.P.	27/02/14	PROJECTION. 	SCALE: 2:7	SHEET 1 OF 1