

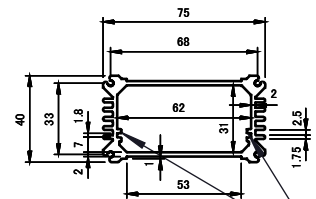
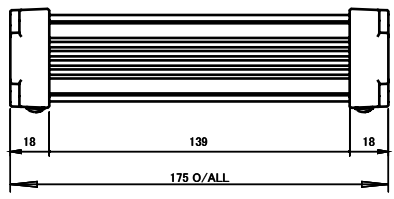
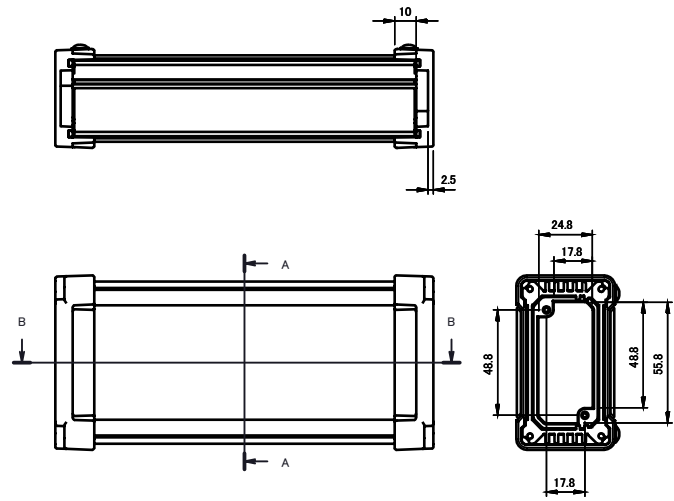
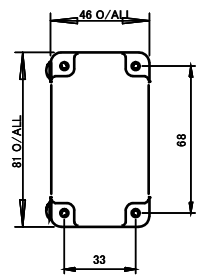
1 2 3 4 5 6

A

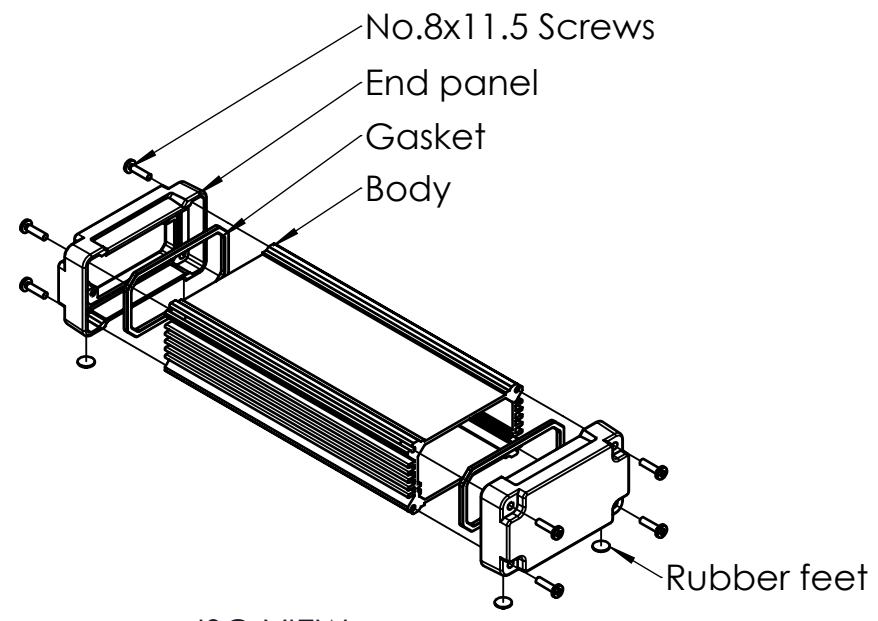
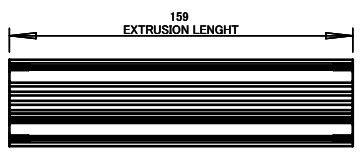
B

C

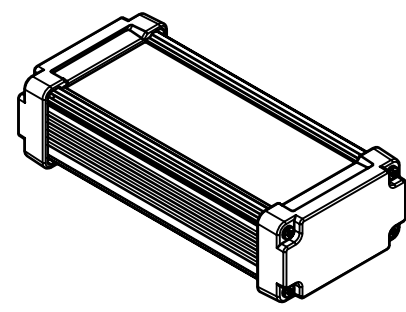
D





PCB SLOT



ISO VIEW
2:7



 CAMDENBOSS JAMES CARTER RD, MILDENHALL, SUFFOLK. IP28 7DE TEL: 01638 716101 FAX: 01638 716554 EMAIL: Sales@CamdenBoss.com WEB: www.CamdenBoss.com		UNLESS OTHERWISE SPECIFIED: DIMENSIONS ARE IN MILLIMETERS	DO NOT SCALE DRAWING	REVISION. ○		
		GENERAL TOLERANCES +/- 0.2	TITLE: 88 SERIES IP67 HEAT SINK CASES, SIZE 9, BLACK, 175x80.8x45.8			
	NAME	SIGNED	DATE	MATERIAL. ALUMINIUM	DWG NO. CDM8809BK	A4
DRAWN	LEWIS LETCHFORD	LL	31/01/2014	FINISH. BLACK ANODIZED POWDER COATED END CAPS	SCALE: 2:7	
CHK'D	-	-	-	PROJECTION. 	SHEET 1 OF 1	

1 2 3 4 5 6